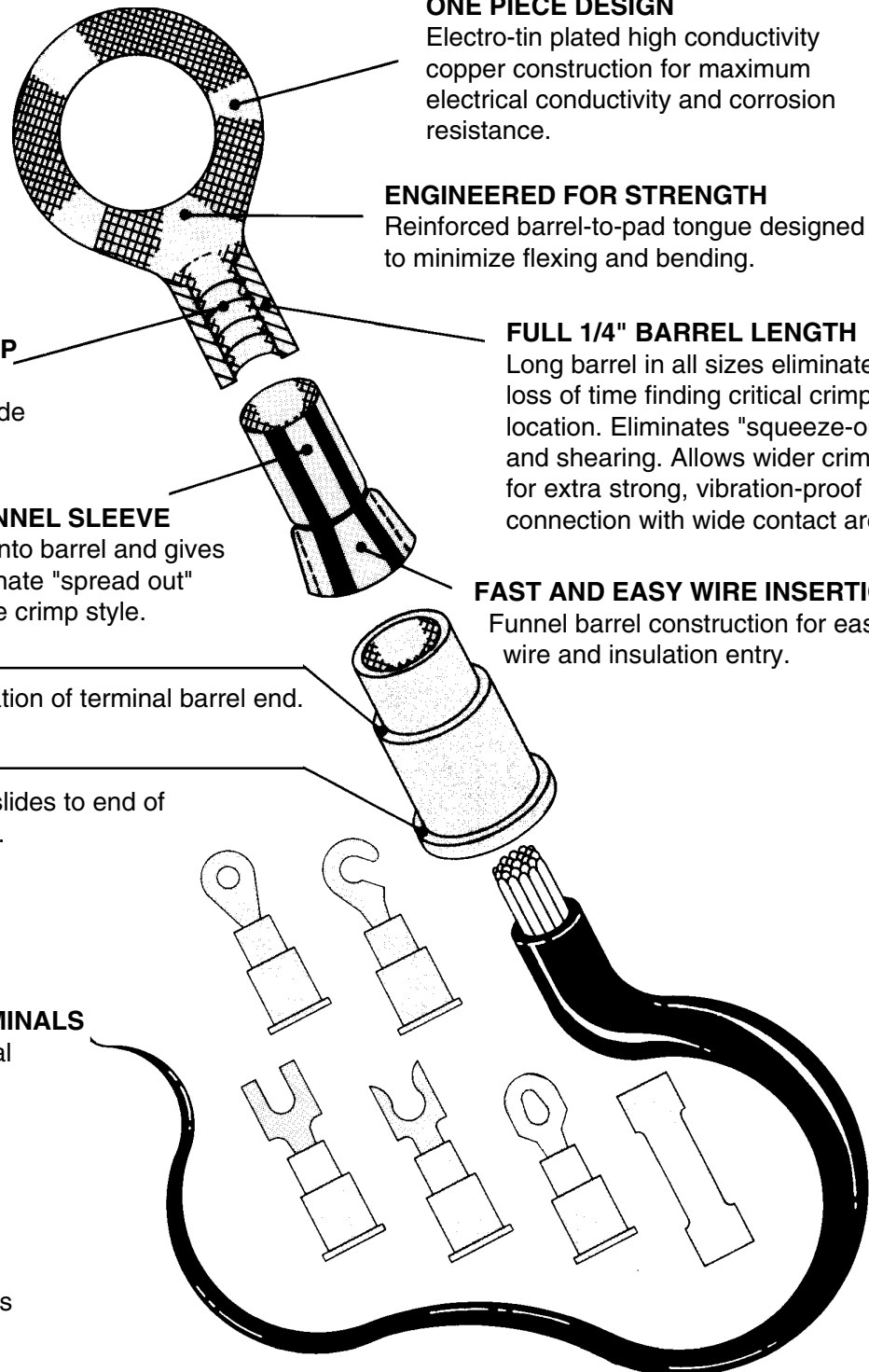


CHROMATE 200

NYLON INSULATED TERMINALS



ONE PIECE DESIGN

Electro-tin plated high conductivity copper construction for maximum electrical conductivity and corrosion resistance.

ENGINEERED FOR STRENGTH

Reinforced barrel-to-pad tongue designed to minimize flexing and bending.

BEST CONTACT AND GRIP

Multiple deep "V" grooves securely grip wire and provide maximum current flow.

FULL 1/4" BARREL LENGTH

Long barrel in all sizes eliminates loss of time finding critical crimping location. Eliminates "squeeze-outs" and shearing. Allows wider crimp for extra strong, vibration-proof connection with wide contact area.

REINFORCED BRASS FUNNEL SLEEVE

Unique design guides wire into barrel and gives extra reinforcement to eliminate "spread out" which is common with single crimp style.

FAST AND EASY WIRE INSERTION

Funnel barrel construction for easy wire and insulation entry.

CRIMP GUIDE I

Crimp ridge for positive location of terminal barrel end.

CRIMP GUIDE II

Non-skid crimp ridge. Tool slides to end of terminal for proper crimping.

NYLON INSULATED TERMINALS

Designed for Fleet, Industrial and Institutional Electrical Maintenance.

Saves: • LABOR
• TIME
• MONEY

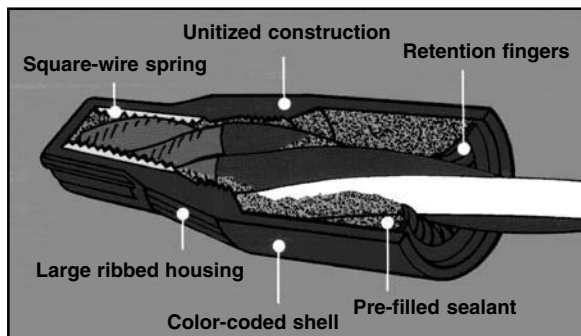
Available in all popular styles and wire sizes.

Test The Waters

WITH

CIC 200 WATERPROOF CONNECTORS

These pressure-type wire connectors provide extra protection where moisture and humidity could lead to corrosion-caused failure or flashover and cover the full range of wire combinations recognized by U.L. and C.S.A. (C.S.A.-approval includes direct burial as well as pressure-type applications). Color-keyed to ordinary connectors, they can be used as safety replacements for non-waterproof connectors of the same color. This self-contained system gives the kind of watertight splice once obtainable only with multi-piece, multi-step resin packs or heat-shrink tubing, eliminating time-consuming extra steps. The custom silicone sealant is so impervious to moisture that it is often used in direct burial without a waterproof box.



- Pre-filled custom silicone blocks out moisture and air
- Eliminates corrosion-caused failures
- U.L. listed and C.S.A. approved*
- Exceed NEMA's (National Electric Contractors Association) requirements for corrosion proofing
- Lifetime warranty against corrosion caused failures
- Reduces call-backs
- Easily removable; not for re-use
- One-step operation saves money, time and labor
- Integrity of splices of 100%
- Smaller profile fits easily into J-boxes
- No on-site assembly, no need for multi-piece kits
- Spring locks onto wires for safe, tight grip
- Ribbed housings and large wings make twisting easy
- Made in U.S.A.

INSTALLATION IS SIMPLE AND EASY:

Just insert stripped wires and twist-on the connector.

1. Each conductor is coated with sealant as it passes through the retention fingers.
2. Retention fingers re-pack excess sealant around the conductors.
3. Calibrated depth of sealant above actual connection stops all possible of corrosion and flashover.

No need to pre-twist or crimp the wires, use epoxy or gels and even fumble with multiple parts. When it's time to change the splice, just twist off and replace with a new one. No need to cut off pigtail or double-splice. Ideal for residential, commercial and municipal applications.

Don't let moisture threaten your connections . . .
Use CIC 200 Waterproof Connectors

**C.S.A.-approval includes direct burial as well as pressure-type applications.*

FUSION SEAL™ ELECTRICAL WRAP ASSORTMENT

Extremely flexible, long lasting electrode insulating wrap for superior protection in extreme temperatures and highly corrosive environments



GEAR / TOOL BOX:

- Heavy duty rust-proof construction
- Deep open interior accommodates large, tall parts and equipment
- Cam-over latch design provides added strength
- Large carry handle makes hauling easier
- Tongue and groove design helps keep dust and contaminants out
- Snap-open lid is perfect for storing small parts
- Lift-out tray keeps everything organized and at your fingertips

FEATURES:

- Weather and saltwater resistant
- Form fitting electrical insulator

APPLICATIONS:

- Electrical insulation, splices, and cable harnesses
- Economical substitute for heat shrink tubing and hot air ducting

ASSORTMENT INCLUDES:

1" x 30 mil x 36 Feet – Red	P/N 2899
1" x 30 mil x 36 Feet – Black	P/N 28991
1" x 30 mil x 36 Feet – Gray	P/N 28992
1" x 30 mil x 36 Feet – Clear	P/N 28993
Orange Gear / Tool Box	P/N 79000



P/N 8833

PORTA-PAK *Specials*



SUPER-FAST ANCHORS

P/N 17859

- No pre-drilling
- Removable
- Extra deep #2 phillips drive
- Works in 3/8", 1/2" and 5/8" drywall
- Incredibly fast and easy to use

QTY	SUPERFAST ANCHOR	PART #	QTY	PHILLIPS BINDING METAL SCREW	PART #
20	Superfast Anchor	88650	20	6 x 1	1511
40	Superfast Mini Anchor	88680	40	8 x 1-1/4	1521



TWIST-LOK WIRE NUTS

P/N 17860

- Fast and easy to use
- Automatically twists wires together
- Rated for 130°C
- Long skirt for additional insulating protection
- Wide throat for easier installation on larger wires



QTY	TWIST-LOK WIRE NUT SIZE	COLOR	PART #	QTY	TWIST-LOK WIRE NUT SIZE	COLOR	PART #
12	Max. 2 #14	Red	2808	14	22-14	Orange	2805
20	Max. 4 #14	Yellow	2807	24	22-14	Blue	2803
				30	22-16	Grey	2801

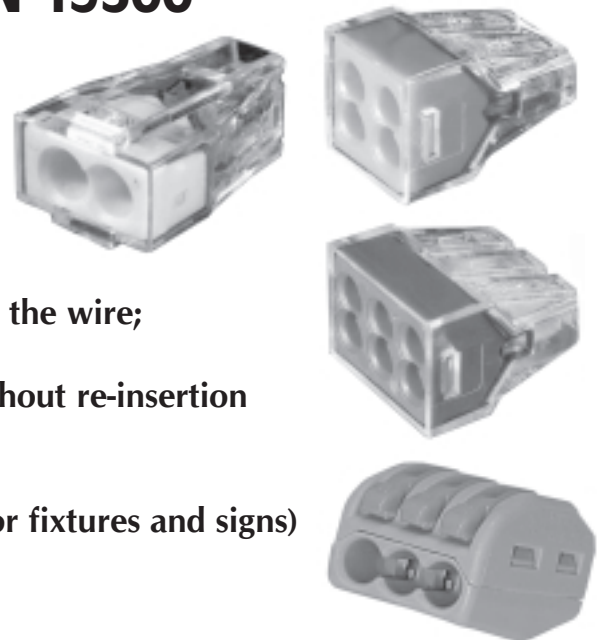
PORTA-PAK *Specials*



PUSH-CON / SNAP-CON WIRE CONNECTORS P/N 19500

PUSH-CON WIRE CONNECTORS

- Connects both stranded and solid copper wire
- Clear housing allows visual identification
- No more twisting and taping required – simply strip the wire; insert the conductor and you're finished
- Integrated test port allows for continuity testing without re-insertion
- Size: 12-16 AWG stranded or 12-18 solid copper
- Touch-proof and rated to 206°F (105°C)
- UL Listed / CSA certified for 600 volts (1000 volts for fixtures and signs)
- Rated @ 24 amps



SNAP-CON WIRE CONNECTORS

- Spring pressure connection technology
- Connects both stranded and solid wire
- Wide range of wire sizes and types
- Size: 12-28 AWG stranded or solid wire
- Small space consumption
- Built-in test point
- Protection against electrical shock-touch safe
- Low installed cost and safe operation
- Maintenance-free connection
- UL Listed / CSA certified for 600 volts (1000 volts for fixtures and signs)
- Rated @20 amps

QTY	WIRE CONNECTOR	PART #	QTY	WIRE CONNECTOR	PART #
30	2 Conductor Push-Con Wire Con.	2521	6	6 Conductor Push-Con Wire Con.	2523
25	4 Conductor Push-Con Wire Con.	2522	6	3 Conductor Snap-Con Wire Con.	2518

PORTA-PAK *Specials*



POSI-LOCK™ CONNECTORS

P/N 19514

- No tools required
- Up to 4 times stronger than crimp connectors
- Multiple splice connections (over 26 wire combinations)
- High temperature and chemical resistant
- Reusable and reconnectable
- Weather resistant brass core
- Installs in seconds

QTY	POSI-LOCK CONNECTORS	PART #	QTY	POSI-LOCK CONNECTORS	PART #
10	18-24 AWG (Red)	20600	4	08-10 AWG (Yellow)	20602
6	12-18 AWG (Blue)	20601	4	6-8 AWG (Green)	20617

PORTA-PAK *Specials*



ATM BLOW ALERT FUSE

P/N 19516

IT GLOWS WHEN IT BLOWS!

- When a circuit short or surge occurs, a light on top of the fuse immediately indicates which fuse needs replacing
- Built to exacting OEM specifications
- Color-coded for fast amperage identification
- Saves time and effort and eliminates guesswork and testing

QTY	AMPS	COLOR	PART #	QTY	AMPS	COLOR	PART #
6	5	Tan	6281	6	10	Red	6283
6	15	Blue	6284	6	20	Yellow	6285
6	25	Natural	6286	6	30	Green	6287

ATC BLOW ALERT FUSE

P/N 19519

IT GLOWS WHEN IT BLOWS!

- When a circuit short or surge occurs, a light on top of the fuse immediately indicates which fuse needs replacing
- Built to exacting OEM specifications
- Color-coded for fast amperage identification
- Saves time and effort and eliminates guesswork and testing



QTY	AMPS	COLOR	PART #	QTY	AMPS	COLOR	PART #
7	5	Tan	29071	7	10	Red	29073
7	15	Blue	29074	7	20	Yellow	29075
7	25	Natural	29076	7	30	Green	29077

TERMINALS AND ELECTRICAL PRODUCTS



FEATURES:

- Full Range of Terminals from Light-Duty Nylon and Vinyl Insulated to Heavy-Duty Electrical Lugs and Battery Terminals
- Many Unique Problem Solver Products that Make Electrical Repairs Faster and Easier
- Many Other Electrical Products Including Specialty Terminals, Primary Wire, Fuses, Bulbs, Battery Cable, Wire Ties, Cable Clamps, Tapes and Tools

CHROMATE TERMINALS AND ELECTRICAL PRODUCTS ARE MANUFACTURED TO THE HIGHEST STANDARDS AND PROVIDE SUPERIOR PERFORMANCE AND RELIABILITY.

Most products are UL listed, CSA approved and will cover all your electrical maintenance and repair applications.



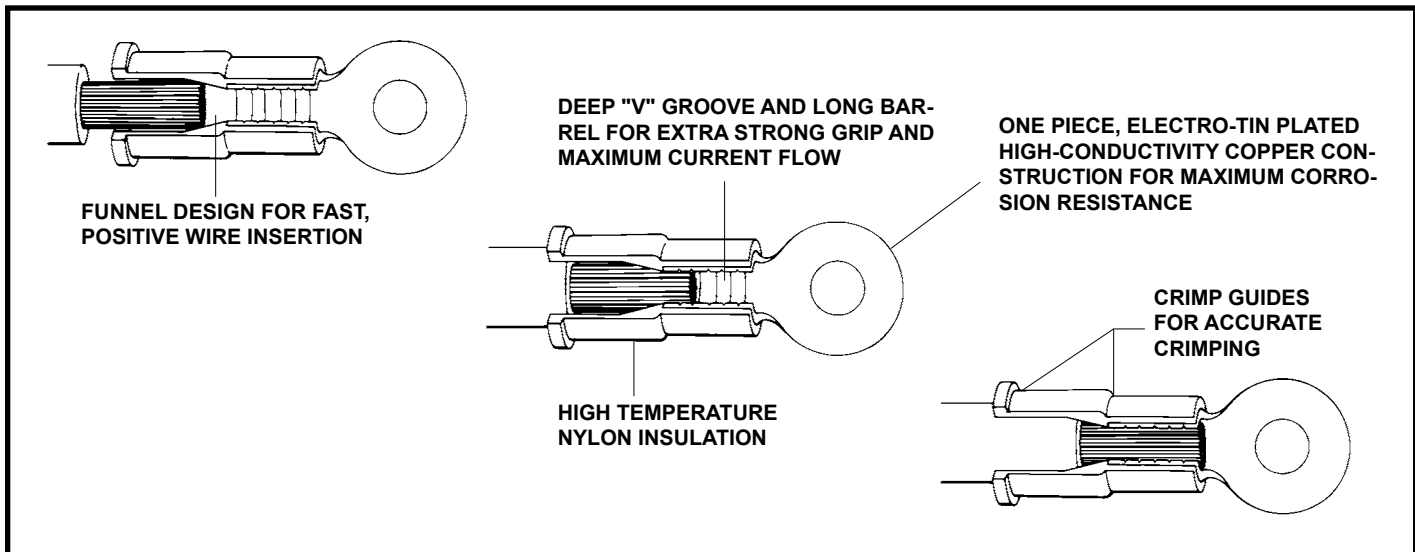
CHROMATE INDUSTRIAL CORP.

Quality ... Service ... Performance

CIC 200™ NYLON INSULATED TERMINALS

DOUBLE GRIP

Double crimp holds both wire and insulation for added strength.



20

EXTRA HEAVY DUTY DOUBLE GRIP RINGS AND SPADES

RINGS FITS 12-16 GA. WIRE SIZE															
	SCREW SIZE	6		8		10		1/4		5/16		3/8		1/2	
	PART	R	2556	R	2557	R	2558	R	2559	R	2560	R	2561	R	2562

SPADES FITS 12-16 GA. WIRE SIZE							
	SCREW SIZE	6		8		10	
	PART	R	2656	R	2657	R	2658

CIC 200™ NYLON INSULATED TERMINALS (Cont'd.)

RINGS — DOUBLE GRIP

YELLOW 26-24 WIRE SIZE												
	STUD SIZE		0		1-2		3-4		5-6		8	
	PART		R	2081	R	2082	R	2083	R	2084	R	2085

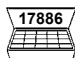


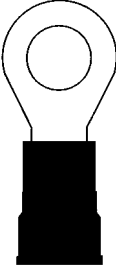

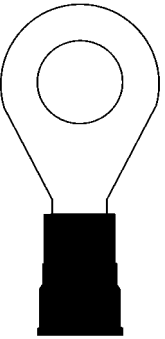
RED 22-18 WIRE SIZE	 															
	STUD SIZE		4		6		8		10		1/4		5/16		3/8	
	PART		R	2001	R	2002	R	2003	R	2004	R	2005	R	2006	R	2007




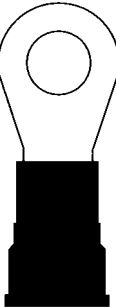
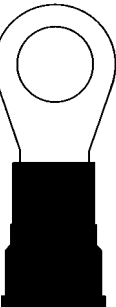
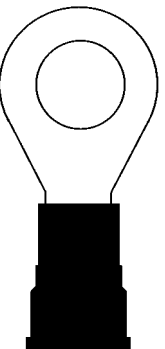
BLUE 16-14 WIRE SIZE	 													
	STUD SIZE		6		8		10		1/4		5/16		3/8	
	PART		R	2009	R	2010	R	2011	R	2012	R	2013	R	2014


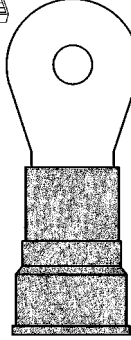
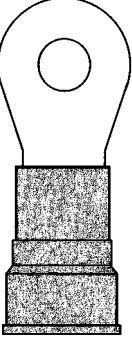
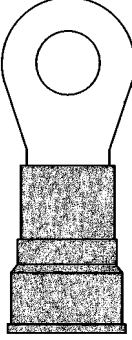
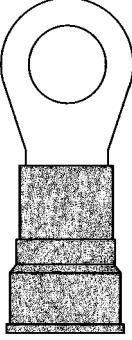
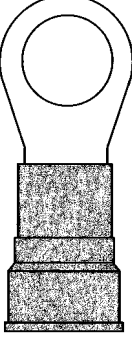
YELLOW 12-10 WIRE SIZE	 															
	STUD SIZE		6		8		10		1/4		5/16		3/8		1/2	
	PART		R	2015	R	2016	R	2017	R	2018	R	2019	R	2020	R	2021

CIC 200™ NYLON INSULATED TERMINALS (Cont'd.)

RINGS — BRAZED SEAM

RED FITS 8 GA WIRE SIZE	     										
	STUD SIZE	10		1/4		5/16		3/8		1/2	
	PART	N	21000	N	21001	N	21002	N	21003	N	21005

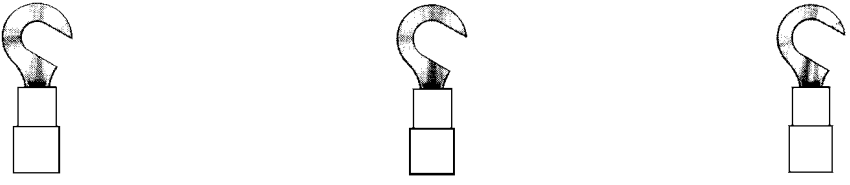
BLUE FITS 6 GA WIRE SIZE	     										
	STUD SIZE	10		1/4		5/16		3/8		1/2	
	PART	I	21007	I	21008	I	21009	I	21010	I	21012

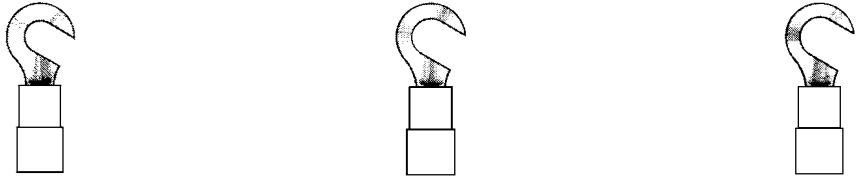
YELLOW FITS 4 GA WIRE SIZE	     										
	STUD SIZE	10		1/4		5/16		3/8		1/2	
	PART	G	21014	G	21015	G	21016	G	21017	G	21019

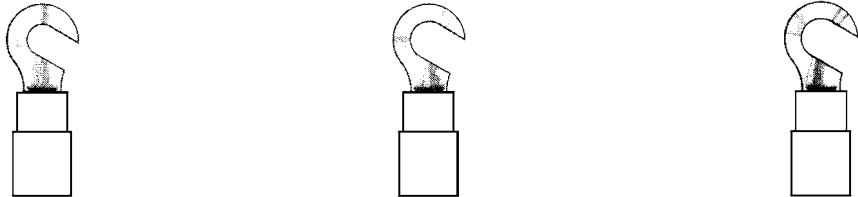
20

CIC 200™ NYLON INSULATED TERMINALS (Cont'd.)

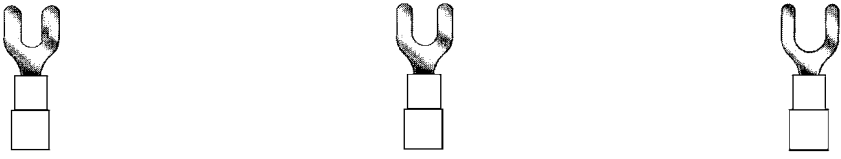
HOOKS — DOUBLE GRIP

RED 22-18 WIRE SIZE				
	STUD SIZE	6	8	10
	PART	R 2202	R 2203	R 2204


BLUE 16-14 WIRE SIZE				
	STUD SIZE	6	8	10
	PART	R 2209	R 2210	R 2211

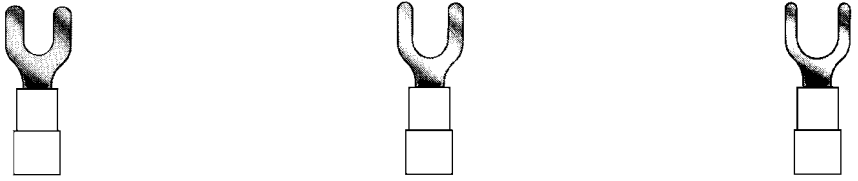
YELLOW 12-10 WIRE SIZE				
	STUD SIZE	6	8	10
	PART	R 2215	R 2216	R 2217

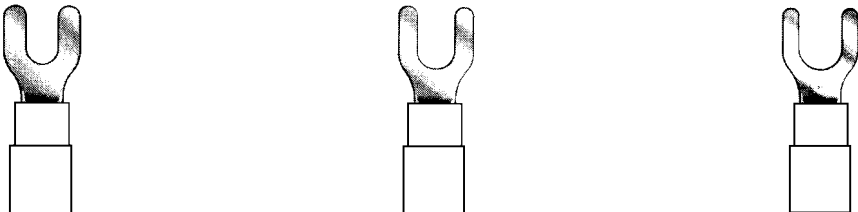
SPADES — DOUBLE GRIP

YELLOW 26-24 WIRE SIZE				
	STUD SIZE	0-2	3-4	5-6
	PART	R 2090	R 2091	R 2092

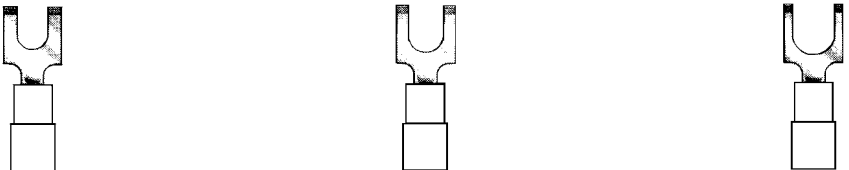
CIC 200™ NYLON INSULATED TERMINALS (Cont'd.)

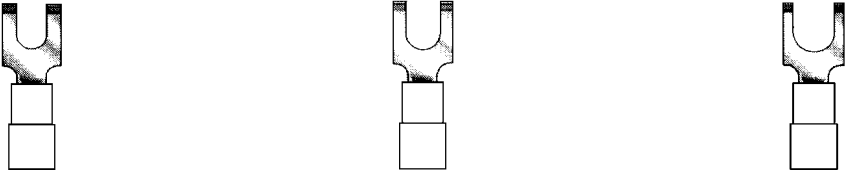
RED 22-18 WIRE SIZE				
	STUD SIZE 4		STUD SIZE 6	
	PART R 2101	R 2102	R 2103	R 2104

BLUE 16-14 WIRE SIZE			
	STUD SIZE 6		STUD SIZE 8
	PART R 2109	R 2110	R 2111

YELLOW 12-10 WIRE SIZE			
	STUD SIZE 6		STUD SIZE 8
	PART R 2115	R 2116	R 2117

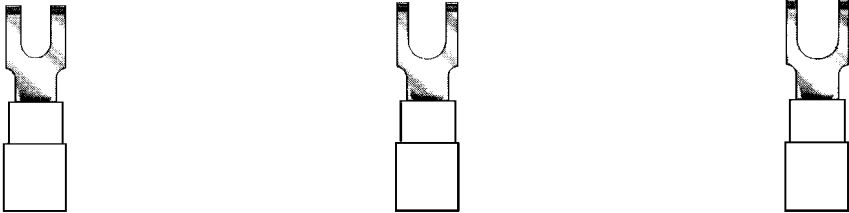
FLANGED SPADES — DOUBLE GRIP

RED 22-18 WIRE SIZE			
	STUD SIZE 6		STUD SIZE 8
	PART R 2702	R 2703	R 2704


BLUE 16-14 WIRE SIZE			
	STUD SIZE 6		STUD SIZE 8
	PART R 2709	R 2710	R 2711

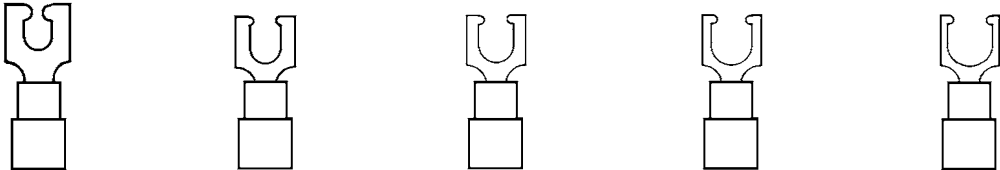
20


CIC 200™ NYLON INSULATED TERMINALS (Cont'd.)

YELLOW 12-10 WIRE SIZE																
	STUD SIZE				6				8				10			
	PART		R	2715		R	2716		R	2717		R	2717			

SNAP SPADES — DOUBLE GRIP

RED 22-18 WIRE SIZE															
	STUD SIZE			4			6			8			10		
	PART		R	2759		R	2767		R	2768		R	2769		

BLUE 16-14 WIRE SIZE																
	STUD SIZE		4		6		8		10		1/4					
	PART		R	2779		R	2790		R	2791		R	2792		R	2793

YELLOW 12-10 WIRE SIZE															
	STUD SIZE			6			8			10			1/4		
	PART		R	2796		R	2797		R	2798		R	2799		

CIC 200™ NYLON INSULATED TERMINALS (Cont'd.)

SNAP PLUGS

RED 22-18				BLUE 16-14				YELLOW 12-10	
SIZE	PART	SIZE	PART	SIZE	PART	SIZE	PART	SIZE	PART
.156	R 2026	.180	R 2028	.156	R 2030	.180	R 2029	.156	R 2027

SNAP PLUG RECEPTACLE

RED 22-18				BLUE 16-14			
SIZE	PART	SIZE	PART	SIZE	PART	SIZE	PART
.156	R 2783	.176	R 2761	.156	R 2784	.176	R 2765

20

2-WAY SNAP PLUG CONNECTOR

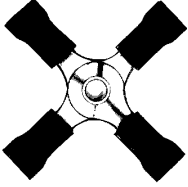
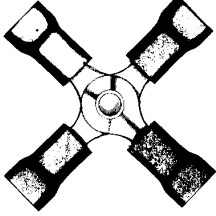
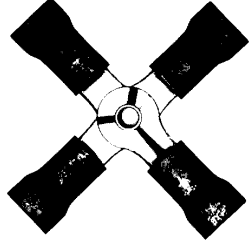
CLEAR	
SIZE	PART
.156	R 2040

DOUBLE GRIP 3-WAY CONNECTORS

RED 22-18		BLUE 16-14		YELLOW 12-10	
WIRE SIZE	PART	WIRE SIZE	PART	WIRE SIZE	PART
22-18	N 2073	16-14	N 2075	12-10	N 2080



CIC 200™ NYLON INSULATED TERMINALS (Cont'd.)

DOUBLE GRIP 4-WAY CONNECTORS





RED		BLUE		YELLOW	
					
WIRE SIZE	PART	WIRE SIZE	PART	WIRE SIZE	PART
22-18	N 2173	16-14	N 2175	12-10	N 2180

CLOSED END CRIMP CONNECTORS AND TRAILER PINS


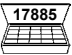
CLOSED END CRIMP CONNECTOR

			
WIRE SIZE	PART	WIRE SIZE	PART
22-14 WHITE	R 2120	18-10 WHITE	R 2125

ELECTRONIC EQUIPMENT PINS

YELLOW 22-18		RED 22-16		BLUE 16-14		YELLOW 12-10	
							
SIZE	PART	SIZE	PART	SIZE	PART	SIZE	PART
.042	R 2751	.075	R 2753	.075	R 2754	.106	R 2755

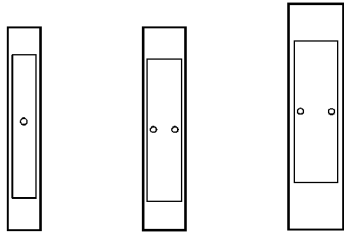
HOLLOW PIN CONNECTORS

		<ul style="list-style-type: none"> • USE TO TERMINATE STRANDED WIRE INTO TERMINAL BLOCKS • COPPER MATERIAL AND TIN PLATED SURFACE FOR MAXIMUM CONDUCTIVITY • POLYPROPYLENE PLASTIC INSULATION • COLOR CODED TO DIN 46 228, PART 4 						
		SEE CRIMPING TOOLS ON PAGES 20.34 - 20.36						
SIZE	PART	SIZE	PART	SIZE	PART	SIZE	PART	
22 GA Orange	T 22400	18 GA Yellow	T 22402	14 GA Blue	T 22404	10 GA Black	T 22406	
20 GA White	T 22401	16 GA Red	T 22403	12 GA Grey	T 22405	-	-	

CIC 200™ NYLON INSULATED TERMINALS (Cont'd.)

BUTT CONNECTORS

SINGLE GRIP



RED
22-18

BLUE
16-14

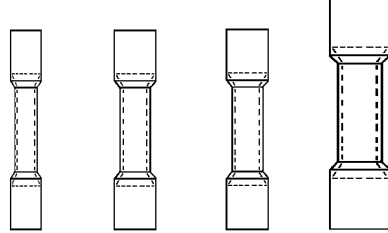
YELLOW
12-10

R 2050

R 2060

R 2070

DOUBLE GRIP



YELLOW
26-24

RED
22-18

BLUE
16-14

YELLOW
12-10

R 2095

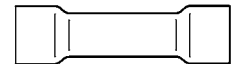
R 2750

R 2760

R 2770

MOISTURE RESISTANT

- PROVIDES SUPER-TIGHT CONNECTIONS
- FILLED WITH A SPECIAL SEALANT COMPOUND THAT PROTECTS CONNECTIONS FROM CORROSIVE ENVIRONMENTS
- FEATURE A NYLON-INSULATED BUTTED SEAM COVERED WITH A MOLDED NYLON SLEEVE
- WHEN CRIMPED, THEY PROVIDE EXCELLENT ELECTRICAL CONTACT AND MECHANICAL STRESS RELIEF
- TEMPERATURE RANGE: -40°F TO 220°F



RED
22-18

BLUE
16-14

YELLOW
12-10

N 2063

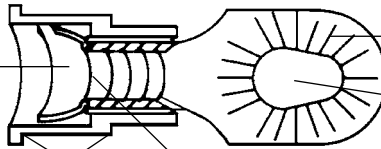
N 2062

N 2061

20

MULTI-RING TERMINALS

FUNNEL BARREL CONSTRUCTION FOR EASY WIRE AND INSULATION ENTRY.



LOCKING SERRATIONS TO INSURE STAY TIGHT INSTALLATION.

SPECIALLY DESIGNED EYE FITS SECURELY TO DIFFERENT STUD SIZES.

NON-SKID CRIMP GUIDES PROVIDE POSITIVE LOCATION FOR PROPER CRIMPING.

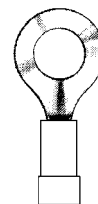
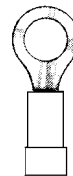
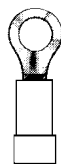
DOUBLE CRIMP FOR BEST CONTACT AND GRIP. DEEP "V" GROOVES SECURELY GRIP WIRE TO PROVIDE MAXIMUM CURRENT FLOW.

WIRE SIZE	22-18 RED		16-14 BLUE		12-10 YELLOW
STUD SIZE	2-6	6-10	2-6	6-10	6-10
PART	R 2721	R 2723	R 2722	R 2724	R 2725

VINYL INSULATED TERMINALS

RINGS

RED
22-18
WIRE SIZE



STUD SIZE

6

10

1/4

PART

R 2626

R 2627

R 2628

VINYL INSULATED TERMINALS (Cont'd.)

BLUE 16-14 WIRE SIZE									
	STUD SIZE	6		10		1/4		3/8	
	PART	R	2630	R	2631	R	2632	R	2633

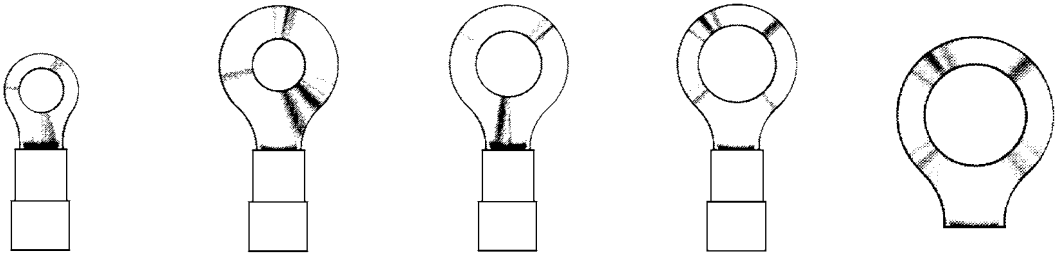
YELLOW 12-10 WIRE SIZE											
	STUD SIZE	6		10		1/4		3/8		1/2	
	PART	R	2635	R	2636	R	2637	R	2638	R	2639

HEAVY DUTY RINGS


RED 8 GA. WIRE SIZE .050 BLADE THICKNESS													
	STUD SIZE	3/16		1/4		5/16		3/8		1/2		5/8	
	PART	R	2570	R	2571	N	2572	N	2573	N	2574	N	2575

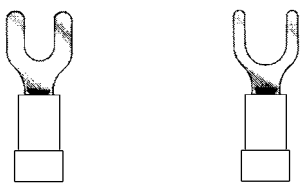
BLUE 6 GA. WIRE SIZE .050 BLADE THICKNESS													
	STUD SIZE	3/16		1/4		5/16		3/8		1/2		5/8	
	PART	N	2577	N	2578	N	2579	N	2580	N	2581	N	2582

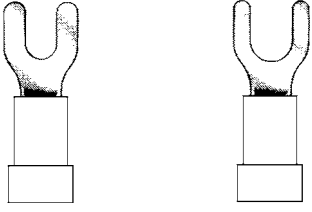
VINYL INSULATED TERMINALS (Cont'd.)

YELLOW 4 GA. WIRE SIZE .075 BLADE THICKNESS						
	STUD SIZE	3/16	1/4	5/16	3/8	1/2
	PART	N 2584	N 2585	N 2586	N 2587	N 2588

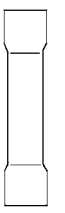


SPADES

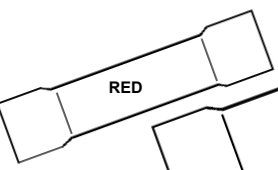
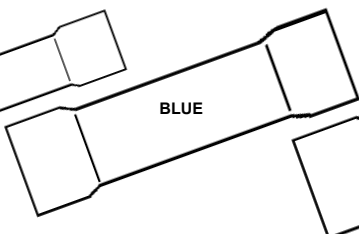
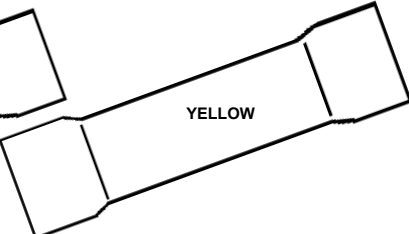
RED 22-18 WIRE SIZE			
	STUD SIZE	6	10
	PART	R 2726	R 2727

BLUE 16-14 WIRE SIZE			
	STUD SIZE	6	10
	PART	R 2730	R 2731

YELLOW 12-10 WIRE SIZE			
	STUD SIZE	6	10
	PART	R 2735	R 2736

BUTT CONNECTORS

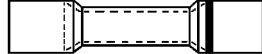
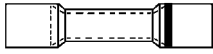
STANDARD		
		
RED 22-18	BLUE 16-14	YELLOW 12-10
R 2838	R 2839	R 2840

HEAVY DUTY		
		
RED #8	BLUE #6	YELLOW #4
N 2655	N 2659	N 2661

VINYL INSULATED TERMINALS (Cont'd.)

REDUCING BUTT CONNECTORS

- CONNECTS DIFFERENT GAUGE WIRES
- CAN BE USED TO SPLICE MORE THAN TWO WIRES TOGETHER
- SAVES TIME AND MONEY



BLUE WITH RED STRIPE
18-22 TO 14-16

YELLOW WITH BLUE STRIPE
14-16 TO 10-12

RED WITH YELLOW STRIPE
10-12 TO 8

N 2065

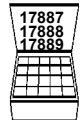
N 2066

N 2067

NON-INSULATED TERMINALS

MULTI-RING TERMINALS

MULTI-RINGS



WIRE SIZE

22-18

16-14

12-10

STUD SIZE

2-6

6-10

2-6

6-10

6-10

PART

T 24110

T 24111

T 24112

T 24113

R 24114

RINGS - BRAZED SEAM

22-18 WIRE SIZE



STUD SIZE

6

8

10

1/4

PART

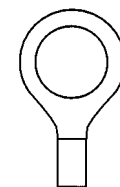
T 24115

T 24150

T 24116

T 24117

16-14 WIRE SIZE



STUD SIZE

6

8

10

1/4

3/8

PART

T 24118

T 24151

T 24119

T 24120

T 24121

NON-INSULATED TERMINALS (Cont'd.)

12-10 WIRE SIZE														
	STUD SIZE		6		8		10		1/4		3/8		1/2	
	PART		R	24122	R	24152	R	24123	R	24124	R	24125	R	24156

FLAG RING (NON-INSULATED)					
22-18		16-14		12-10	
WIRE SIZE	PART	WIRE SIZE	PART	WIRE SIZE	PART
22-18 x 10	R 2806	16-14 x 10	R 2809	12-10 x 10	R 2815

20

SPADES								
22-18 WIRE SIZE								
	STUD SIZE		6		8		10	
	PART		T	24126	T	24153	T	24127

16-14 WIRE SIZE								
	STUD SIZE		6		8		10	
	PART		T	24128	T	24154	T	24129

12-10 WIRE SIZE								
	STUD SIZE		6		8		10	
	PART		R	24130	R	24155	R	24131



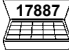


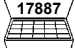
BUTT CONNECTORS



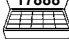


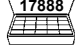
SEAMLESS		
22-18	16-14	12-10
T 24132	T 24133	R 24134


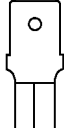
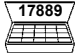
STANDARD
8 GA
N 24135

NON-INSULATED TERMINALS (Cont'd.)


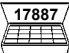
BUTTED SEAM DISCONNECTS

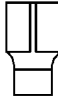
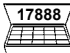
22-18 WIRE SIZE	FEMALE		MALE	
		 		 
BLADE SIZE	3/16	1/4	3/16	1/4
PART	T 24136	T 24137	T 24140	T 24141


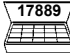
16-14 WIRE SIZE	FEMALE		MALE	
		 		 
BLADE SIZE	3/16	1/4	3/16	1/4
PART	T 24138	T 24139	T 24142	T 24143

12-10 WIRE SIZE	FEMALE		MALE	
				
BLADE SIZE	1/4		1/4	
PART	T 24149		T 24144	

BUTTED SEAM DISCONNECT FEMALE FLAG TERMINALS

22-18 WIRE SIZE		
	STUD SIZE	3/16
PART	T 24147	R 2757

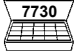

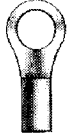

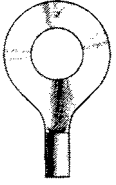
16-14 WIRE SIZE		
	STUD SIZE	3/16
PART	T 24148	R 2772

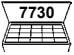

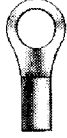

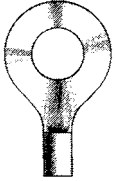
12-10 WIRE SIZE		
	STUD SIZE	1/4
PART	R 2778	

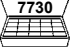
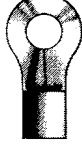
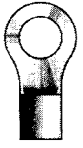
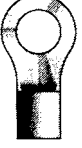
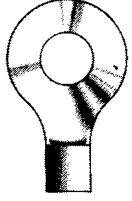
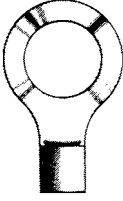
CIC 200™ HIGH TEMPERATURE TERMINALS


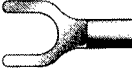
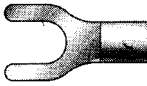

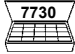

RINGS



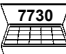
Nickel plated alloy steel. Designed for 900°F (482°C) continuous and 1200°F (649°C) intermittent operation.

22-18 WIRE SIZE				
				
	STUD SIZE	6	8	10
PART	T 2126	T 22120	T 2127	T 2128

16-14 WIRE SIZE				
				
	STUD SIZE	6	8	10
PART	T 2130	T 22121	T 2131	T 2132





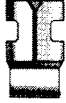
12-10 WIRE SIZE					
					
	STUD SIZE	6	8	10	1/4
PART	T 2133	R 22122	T 2134	T 2135	T 2136



SPADE					
22-18 WIRE SIZE		16-14 WIRE SIZE		12-10 WIRE SIZE	
					
					
STUD SIZE	PART	STUD SIZE	PART	STUD SIZE	PART
10	T 2140	10	T 2141	10	T 2142

BLOCK SPADE			
22-18 WIRE SIZE		16-14 WIRE SIZE	
			
			
STUD SIZE	PART	STUD SIZE	PART
6	T 2145	6	T 2144




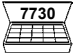
CIC 200™ HIGH TEMPERATURE TERMINALS (Cont'd.)

MISCELLANEOUS

HIGH TEMPERATURE 16-14 WIRE SIZE	FEMALE		MALE		FEMALE RT. ANGLE FLAG
					
BLADE SIZE	3/16	1/4	3/16	1/4	1/4
PART	T 2147	T 2148	2151	T 2152	T 2153

HIGH TEMPERATURE 12-10 WIRE SIZE	FEMALE	MALE
		
BLADE SIZE	1/4	1/4
PART	T 22124	T 22125

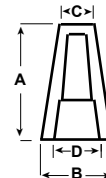
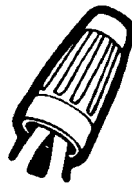
BUTT CONNECTORS

					
WIRE SIZE	PART	WIRE SIZE	PART	WIRE SIZE	PART
22-18	T 2176	16-14	T 2177	12-10	T 2178

PORCELAIN WIRE NUTS

SPECIFICATIONS:


- TEMPERATURE: RATED AT 1200°F
- ACCOMMODATE #18-14 AWG STRANDED COPPER
- TYPE: PORCELAIN CONNECTOR
- MEETS UL STANDARD 486C

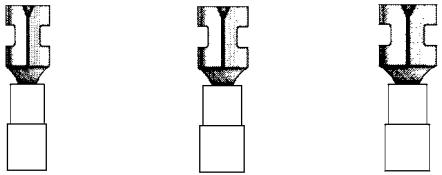



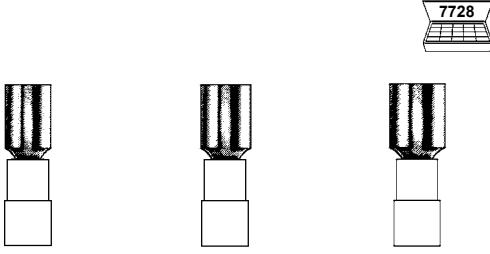
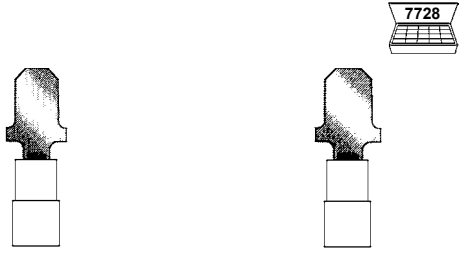
WIRE SIZE	DIMENSIONS				VOLTAGE RATING	WIRE COMB. RANGE		PART
	A	B	C	D		MIN.	MAX.	
18-14	11/16	13/32	3/16	1/4	300V	2 #18	1 #18 w/2 #16	T 2137
18-14	3/4	31/64	13/64	5/16	300V	2 #18	2 #16 w/2 #18	T 2138
18-14	27/32	17/32	7/32	13/32	300V	2 #18	4 #16	T 2139
16-10	31/32	23/32	1/2	15/32	300V	10 #16	3 #10	N 2149

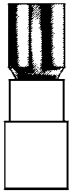

CIC 200™ QUICK SLIDE TERMINALS

DOUBLE GRIP NYLON INSULATED

YELLOW 26-20 WIRE SIZE	FEMALE	
		
	7/64 (.110)	
BLADE SIZE	7/64 (.110)	
PART	R	2096

RED 22-18 WIRE SIZE	FEMALE			MALE	
					
	1/8	3/16	1/4	3/16	1/4
PART	R 2055	R 2031	R 2024	R 2053	R 2054

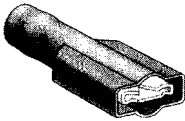
BLUE 16-14 WIRE SIZE	FEMALE			MALE	
					
	1/8	3/16	1/4	3/16	1/4
PART	R 2022	R 2023	R 2035	R 2738	R 2025

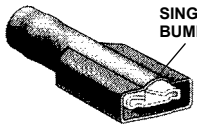
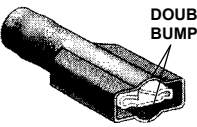
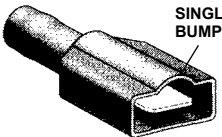
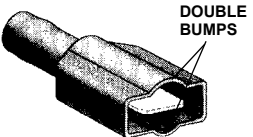
YELLOW 12-10 WIRE SIZE	FEMALE		MALE	
				
	1/4		1/4	
PART	R	2036	R	2748

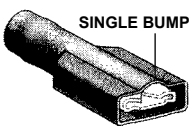
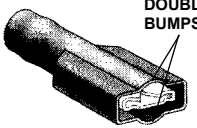
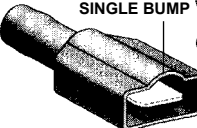
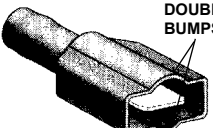
20

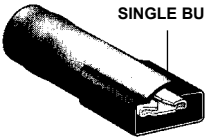
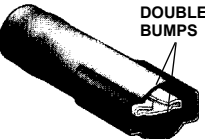
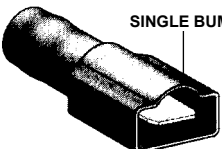
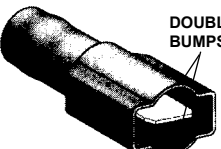
CIC 200™ QUICK SLIDE TERMINALS (Cont'd.)

DOUBLE-GRIP NYLON — FULLY INSULATED

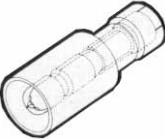
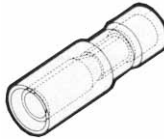
VIOLET 26-22 WIRE SIZE	FEMALE	
		
	1/8	
BLADE SIZE	1/8	
PART	R	2046

RED 22-18 WIRE SIZE	FEMALE				MALE							
												
	3/16		1/4		3/16		1/4					
BLADE SIZE	3/16		1/4		3/16		1/4					
PART	R	2041	2042	R	2041-O	2042-O	R	2071	2072	R	2071-O	2072-O

BLUE 16-14 WIRE SIZE	FEMALE				MALE							
												
	3/16		1/4		3/16		1/4					
BLADE SIZE	3/16		1/4		3/16		1/4					
PART	R	2047	2048	R	2047-O	2048-O	R	2074	2058	R	2074-O	2058-O

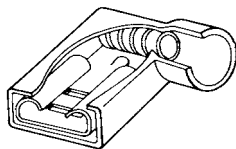
YELLOW 12-10 WIRE SIZE	FEMALE				MALE					
										
	1/4		1/4		1/4		1/4			
BLADE SIZE	1/4		1/4		1/4		1/4			
PART	R	2044		2044-O		R	2076		2076-O	

PLUG DISCONNECTS

CLEAR 20-18 WIRE SIZE	MALE		FEMALE			
						
	24160		24161			
PART	T	24160		T	24161	


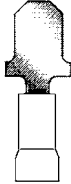
CIC 200™ QUICK SLIDE TERMINALS (Cont'd.)

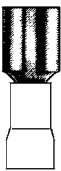

FEMALE RIGHT ANGLE FLAG — FULLY INSULATED





RED 22-18			BLUE 16-14			YELLOW 12-10		
BLADE SIZE		PART	BLADE SIZE		PART	BLADE SIZE		PART
1/4	R	2051	1/4	R	2052	1/4	R	2049
3/16	R	2551	3/16	R	2552	-		-

VINYL INSULATED

RED 22-18 WIRE SIZE	FEMALE		MALE	
				
BLADE SIZE	1/4		1/4	
PART	R	2864	R	2867



BLUE 16-14 WIRE SIZE	FEMALE		MALE	
				
BLADE SIZE	1/4		1/4	
PART	R	2865	R	2868

YELLOW 12-10 WIRE SIZE	FEMALE		MALE	
				
BLADE SIZE	1/4		1/4	
PART	R	2866	R	2869

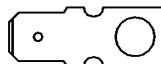
20

CIC 200™ QUICK SLIDE TERMINALS (Cont'd.)

MISCELLANEOUS

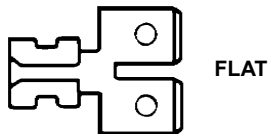
MULTI-STACK	DOUBLE-GRIP NYLON - INSULATED		NON-INSULATED
			
WIRE SIZE	RED 22-18	BLUE 16-14	BLUE 16-14
BLADE SIZE	1/4		1/4
PART	R 2033	R 2034	R 2786

MALE ADAPTERS

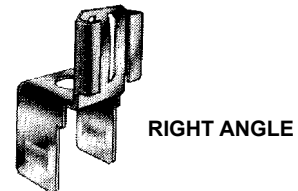


SIZE	PART	SIZE	PART	SIZE	PART
6 RING TO 1/4	R 2780	8 RING TO 1/4	R 2781	10 RING TO 1/4	R 2782

1 FEMALE TO 2 MALES



1 FEMALE TO 2 MALES



SIZE	PART	SIZE	PART
1/4	R 2771	1/4	T 2749

CLEAR NYLON INSULATED

DOUBLE
MALE
ADAPTER



BLADE SIZE	1/4
PART	R 2045

MALE

DOUBLE
SNAP PLUG
(NON-INSULATED)




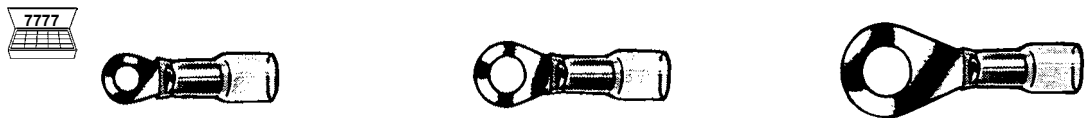
BLADE SIZE	1/4 TO .157
PART	R 2758

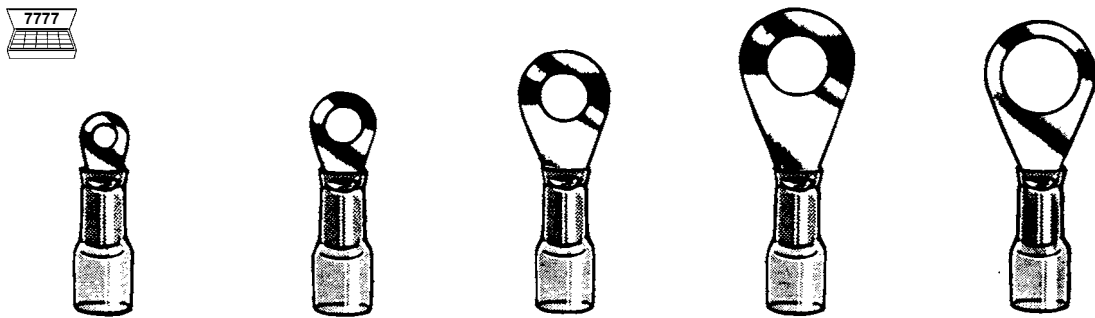
CIC 200™ SUR-SEAL™ TERMINALS

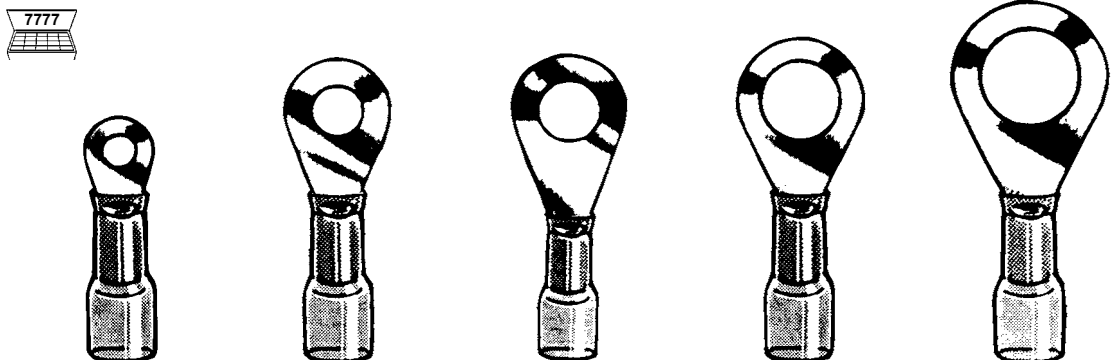
RINGS

Heat shrink tubing and tin plated high conductivity copper connectors are bonded together to form a moisture-proof seal, preventing corrosion and voltage drop. Just crimp and heat.

MULTI-RING				
	WIRE SIZE	22-18 RED	16-14 BLUE	12-10 YELLOW
	STUD SIZE	6-10	6-10	6-10
	PART	N 21600	N 21601	N 21602

RED 22-18 WIRE SIZE				
	STUD SIZE	4-6	8-10	1/4
	PART	L 2816	L 2817	L 2818

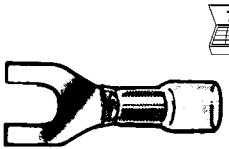
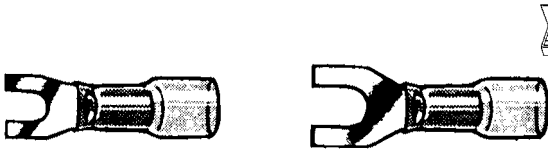
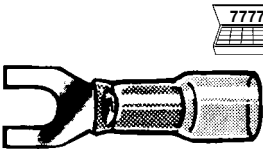
BLUE 16-14 WIRE SIZE						
	STUD SIZE	4-6	8-10	1/4	5/16	3/8
	PART	L 2819	L 2820	L 2821	L 2822	L 2823

YELLOW 12-10 WIRE SIZE						
	STUD SIZE	8-10	1/4	5/16	3/8	1/2
	PART	L 2824	L 2825	N 2832	L 2826	L 2827


20


CIC 200™ SUR-SEAL™ TERMINALS (Cont'd.)


SPADES

RED 22-18		BLUE 16-14				YELLOW 12-10	
							
STUD SIZE	PART	STUD SIZE	PART	STUD SIZE	PART	STUD SIZE	PART
8-10	L 2828	4-6	L 2829	8-10	L 2830	8-10	L 2831

SNAP SPADES

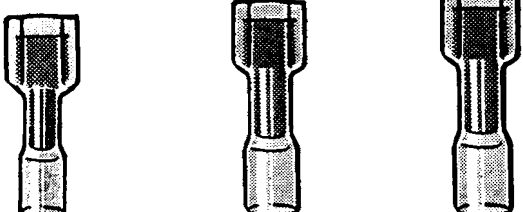
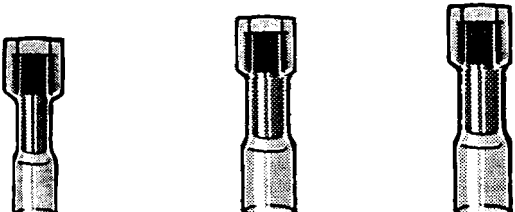
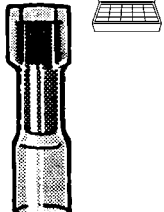
RED 22-18 WIRE SIZE				
STUD SIZE	6		8	10
PART	N 21610	N 21611	N 21612	

BLUE 16-14 WIRE SIZE				
STUD SIZE	6	8	10	1/4
PART	N 21606	N 21607	N 21608	N 21609




YELLOW 12-10 WIRE SIZE			
STUD SIZE	8	10	1/4
PART	N 21603	N 21604	N 21605



FEMALE CONNECTORS


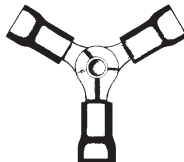
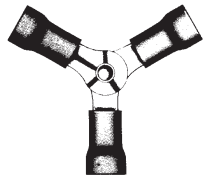
MALE CONNECTORS

RED 22-18						BLUE 16-14						YELLOW 12-10					
																	
SIZE	PART	SIZE	PART	SIZE	PART	SIZE	PART	SIZE	PART	SIZE	PART	SIZE	PART	SIZE	PART		
1/4	L 2847	1/4	L 2845	1/4	N 2851	1/4	L 2846	1/4	L 2844	1/4	N 2850	1/4	N 2850	1/4	N 2850		

CIC 200™ SUR-SEAL™ TERMINALS

BUTT CONNECTORS		
RED 20-18	BLUE 16-14	YELLOW 12-10
		
PART	PART	PART
L 2841	L 2842	L 2843

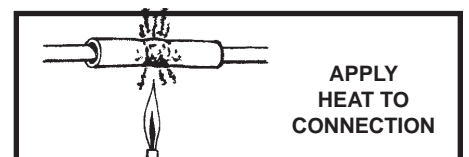
REDUCING BUTT CONNECTORS	
22-18 TO 16-14	16-14 TO 12-10
	
PART	PART
L 2077	I 2078

3-WAY CONNECTORS					
					
COLOR/WIRE SIZE	PART	COLOR/WIRE SIZE	PART	COLOR/WIRE SIZE	PART
Red / 20-18	N 21613	Blue / 16-14	N 21614	Yellow / 12-10	N 21615





CIC 200™ SUR-SEAL™ SOLDER LINK CONNECTORS

BUTT CONNECTORS

Superior protection for splices exposed to the elements. Adhesive heat shrink tubing provides a high strength, water-tight seal. Flux coated low heat solder preform for ultimate strength and conductivity.



NOTE: WHEN HEATING WITH OPEN FLAME BE SURE THAT THE FLAME DOES NOT COME IN CONTACT WITH HEAT SHRINKABLE TUBING.

CLEAR 22-24	RED 20-18	BLUE 16-14	YELLOW 12-10
			
PART	PART	PART	PART
N 2064	N 2160	N 2161	N 2162

CIC 200™ SUR-SEAL™ SOLDER LINK CONNECTORS

RING CONNECTORS

CLEAR 22-24 WIRE SIZE																
	STUD SIZE				#2				#4				#6			
	PART				N 2119				N 2121				N 2122			



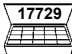

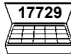

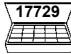
RED 20-18 WIRE SIZE															
	STUD SIZE			4-6			6-8			8-10			1/4		
	PART			N 2154			N 2155			N 2156			N 2157		

BLUE 16-14 WIRE SIZE															
	STUD SIZE			6-8			8-10			1/4			3/8		
	PART			N 2158			N 2159			N 2163			N 2164		




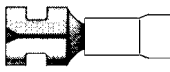
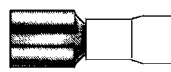

YELLOW 12-10 WIRE SIZE															
	STUD SIZE			8-10			1/4			3/8			1/2		
	PART			N 2165			N 2166			N 2167			N 2168		

CIC 200™ SUR-SEAL™ SOLDER LINK CONNECTORS

SPADE CONNECTORS

CLEAR 22-24		RED 20-18		BLUE 16-14		YELLOW 12-10	
		 		 		 	
STUD SIZE	PART	STUD SIZE	PART	STUD SIZE	PART	STUD SIZE	PART
#2	N 2112	8-10	N 2169	8-10	N 2170	8-10	N 2171
#4	N 2113						
#6	N 2114						

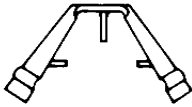



QUICK-SLIDE TERMINALS

RED 20-18		BLUE 16-14		YELLOW 12-10	
					
					
MALE	FEMALE	MALE	FEMALE	MALE	FEMALE
N 2184	N 2181	N 2185	N 2182	N 2186	N 2183

20

CIC 200™ IGNITION TERMINALS

DISTRIBUTOR AND SPARK PLUG

DISTRIBUTOR CLIP TERMINAL		DISTRIBUTOR CAP TERMINAL		SPARK PLUG TERMINAL 90°		STRAIGHT SPARK PLUG TERMINAL	
							
SIZE	PART	SIZE	PART	PART	PART	PART	PART
7 MM WIRE	T 2719	7 MM WIRE	T 2713	T 2720	T 2720	T 2718	T 2718

POSI-LOCK™ CONNECTORS & TERMINALS

NO CRIMPING NECESSARY ... AND NO MORE LOOSE CONNECTIONS

High temperature and chemical resistant. The Posi-Lock™ Connectors will not pull apart, vibrate loose or meltdown. It's reconnectable and reusable at your discretion.

SPECIFICATIONS:

Working Temperature: 120°C

Bullet Material: Tin Plated Brass

Connector Material: Nylon Type 6/6

Maximum Wire Diameter:

- 8-10 awg: 128 mils stranded (AWG Standards)
- 12-18 awg: 81 mils stranded (AWG Standards)
- 18-24 awg: 40 mils stranded (AWG Standards)

Maximum Current Rating:

- 8-10 awg: 40 ADC @12 VDC 3.0 Amp @ 120 VAC
- 12-18 awg: 30 ADC @12 VDC 2.0 Amp @ 120 VAC
- 18-24 awg: 15 ADC @12 VDC 1.0 Amp @ 120 VAC

Rated Maximum Voltage:

- 8-10 awg: 12 VDC @ 40 ADC; 120 VAC @ 3.0 Amp
- 12-18 awg: 24 VDC @ 15 ADC; 12 VDC @ 30 ADC; 120 VAC @ 2.0 Amp
- 18-24 awg: 24 VDC @ 7.5 ADC; 12 VDC @ 15 ADC; 120 VAC @ 1.0 Amp

Average Pull Strength:

- 8 awg - 80 lbs; 10 awg - 60 lbs
- 12 awg - 46 lbs; 14 awg - 33 lbs; 16 awg - 27 lbs; 18 awg - 25 lbs
- 18 awg - 25 lbs; 20, 22 and 24 awg - exceeds wire strength

- NO TOOLS REQUIRED
- UP TO 4 TIMES STRONGER THAN CRIMP CONNECTORS
- MULTIPLE SPLICE CONNECTIONS (OVER 26 WIRE COMBINATIONS)
- HIGH TEMPERATURE AND CHEMICAL RESISTANT
- REUSABLE AND RECONNECTABLE
- WEATHER RESISTANT BRASS CORE
- INSTALLS IN SECONDS



SIZE / COLOR	6-8 AWG / White	8-10 AWG / Yellow	10-12 AWG / Yellow	14-16 AWG / Blue	18-24 AWG / Red
PART NUMBER	20617	20602	20628	20627	20600

POSI-TAP™ CONNECTORS

SIZE	PART	SIZE	PART
20-22 AWG Red	20637	12-18 AWG Black	20639
16-18 AWG Red	20638	10-16 AWG Yellow	20640

4-WIRE QUICK DISCONNECT

2 PIECE MALE & FEMALE FOR USE ON TRAILER CONNECTIONS

SIZE	PART
18 AWG	20641

POSI-LOCK™ FUSEHOLDERS

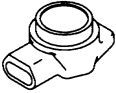
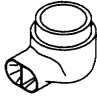
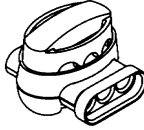
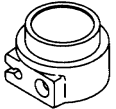
20606 GLASS TUBE

20618 BLADE

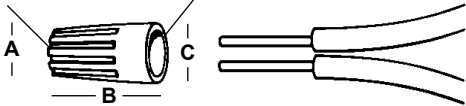
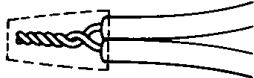
HOLDS FUSES 1/4 x 3/4 TO 1/4 x 1-1/4 UP TO 30 AMP MAXIMUM

SIZE	PART	SIZE	PART
12-18 AWG	20606	12-18 AWG	20618


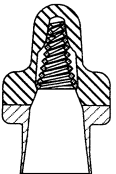
MISCELLANEOUS TERMINALS

PIGTAIL TERMINALS									
BUTT SPLICE							TAP SPLICE		
 2 OR 3 WIRE		 2 WIRE		P/N 2520 – 2 OR 3 WIRE SEALANT FILLED FOR WATERPROOF CONNECTION		 P/N 2519 – NO SEALANT		 2 WIRE	
WIRE SIZE	PART	WIRE SIZE	PART	WIRE SIZE	PART	WIRE SIZE	PART	WIRE SIZE	PART
26-18 RED	R 2505	26-22 YELLOW	R 2510	18-12 BLUE	N 2520	18-12 BLUE	N 2519	26-20 GREEN	R 2515

CIC 200™ WIRE CAPS

TWIST-LOK WIRE CONNECTORS									
LONG SKIRT FOR ADDITIONAL INSULATING PROTECTION		WIDE THROAT FOR EASIER INSTALLATION ON LARGER WIRES						<ul style="list-style-type: none"> • FAST AND EASY TO USE • AUTOMATICALLY TWISTS WIRES TOGETHER • RATED FOR 130°C 	
SIZE	DIMENSIONS			COLOR	VOLTAGE RATING	WIRE COMB. RANGE		PART	
	A	B	C			MIN.	MAX.		
22-16	13/64	10/32	23/64	GRAY	300V	1 #20 & 1 #22	2 #16	R 2801	
22-14	1/4	23/32	13/32	BLUE	300V	3 #22	3 #6	R 2803	
22-14	5/16	55/64	7/16	ORANGE	600V	1 #18 & 1 #20	3 #16 & 1 #18	R 2805	
18-10	5/16	61/64	35/64	YELLOW	300V	1 #16 & 2 #18	4 #14 & 1 #16	R 2807	
18-8	17/64	1-1/16	21/32	RED	600V	2 #14	2 #10 & 2 #12	R 2808	

20

SCOTCHLOK WIRE CONNECTORS									
SCOTCHLOK <ul style="list-style-type: none"> • PLIABLE, VINYL SKIRT • FEATURING A LIVE-SPRING WHICH ASSURES A TIGHT GRIP, EVEN ON SMALL WIRE COMBINATIONS • THESE PREMIUM-GRADE CONNECTORS CAN BE "BACKED-OFF" TO ALLOW MODIFICATION 					 <p>COLOR: GRAY</p>				
SCOTCHLOK 2® <ul style="list-style-type: none"> • 3 CONNECTORS HANDLE THE WORK OF EIGHT STANDARD CONNECTORS • DESIGNED FOR WIRING APPLICATIONS WHERE SPACE IS AT A PREMIUM • FLEXIBLE SKIRT COLLAPSES TO TAKE UP LESS ROOM, PERFECT FOR CROWDED BOXES • GRIPS QUICKER, PULLS-ON FASTER • 600V MAX. BUILDING WIRE, 1000V MAX. SIGNS AND FIXTURES 									
SIZE	COLOR	WIRE GAUGE		PART					
		MIN.	MAX.						
14-8	Gray	3 #12	4 #10	N 2835					

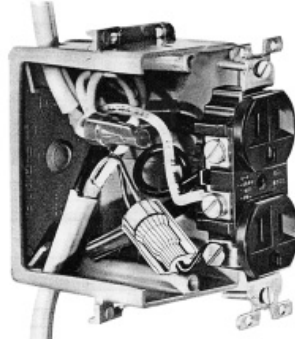
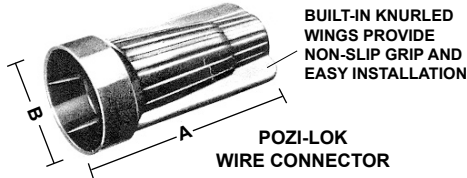
REPLACES	COLOR	WIRE GAUGE		PART
		MIN.	MAX.	
Orange, Blue, Gray Wingless	Orange/Blue	2 #22	2 #12	R 2814
Red & Yellow Wing Style	Red/Yellow	2 #18	2 #8	R 2833
Blue & Gray Wing Style	Blue/Gray	4 #14	5 #10	N 2834

CIC 200 WIRE CAPS

POZI-LOK WIRE CONNECTORS

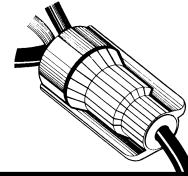
FEATURES:

- NO MORE TWISTED WIRES TO LOOSEN.
- NEAT CONNECTIONS EVEN IN TIGHT PLACES.
- COLOR CODED TO INSURE IDENTIFICATION.
- SPECIAL DESIGN PROVIDES SURE CONNECTION EVERY TIME BY HAND. NO TOOLS REQUIRED.



SPECIFICATIONS:

- UL LISTED FOR SOLID COPPER TO COPPER WIRES ONLY
- TYPE: PRESSURE CONNECTOR
- TEMPERATURE: RATED AT 105°C MAXIMUM
- UNIQUE SPIRAL SPRING CONFIGURATION AUTOMATICALLY THREADS AND TWISTS WIRES TOGETHER FOR A PERFECT CONNECTION EVERY TIME
- MEETS UL STANDARD 486C

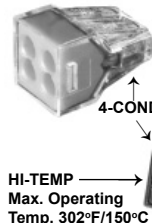


POZI-LOK GROUND CONNECTOR

SIZE	DIMENSIONS		COLOR	VOLTAGE RATING	WIRE COMB. RANGE		PART
	A	B			MIN.	MAX.	
22-16	31/32	15/32	YELLOW	600V	2 #18	3 #12	R 2861
22-14	1-5/32	9/16	RED	600V	2 #16	5 #12	R 2862
22-14	1-1/2	3/4	BLUE	600V	1 #10 & 1 #12	1 #6 & 2 #8	R 2863
DESCRIPTION		SIZE	COLOR	PART			
B.G.R. GROUND NUT		2 #14 TO 3 #10 AWG	GREEN	R	2859		

PUSH-CON WIRE CONNECTORS

- CONNECTS BOTH STRANDED AND SOLID COPPER WIRE
- CLEAR HOUSING ALLOWS VISUAL IDENTIFICATION
- NO MORE TWISTING AND TAPING REQUIRED – SIMPLY STRIP THE WIRE; INSERT THE CONDUCTOR AND YOU'RE FINISHED
- INTEGRATED TEST PORT ALLOWS FOR CONTINUITY TESTING WITHOUT RE-INSERTION
- TOUCH-PROOF AND RATED TO 206°F (105°C)
- UL LISTED/CSA CERTIFIED FOR 600 VOLTS
- RATED @ 24 AMPS (1000 VOLTS FOR FIXTURES AND SIGNS)



HI-TEMP
Max. Operating Temp. 302°F/150°C



DESCRIPTION	SIZE	COLOR	PART
2-Conductor	12-16 AWG Stranded or 12-18 Solid Copper	YELLOW	T 2521
3-Conductor	10-14 AWG Stranded or 10-14 Solid Copper	RED	N 2517
4-Conductor	12-16 AWG Stranded or 12-18 Solid Copper	ORANGE	T 2522
6-Conductor	12-16 AWG Stranded or 12-18 Solid Copper	BLACK	R 2523
8-Conductor	12-16 AWG Stranded or 12-18 Solid Copper	DARK GREY	R 2524
4-Conductor	14-16 AWG Stranded or 14-18 Solid Hi-Temp	BLACK	R 2532

SNAP-CON WIRE CONNECTORS

- SPRING PRESSURE CONNECTION TECHNOLOGY
- CONNECTS BOTH STRANDED AND SOLID WIRE
- WIDE RANGE OF WIRE SIZES
- COMBINATION OF DIFFERENT WIRE SIZES AND TYPES
- SMALL SPACE CONSUMPTION
- BUILT-IN TEST POINT
- LOW INSTALLED COST AND SAFE OPERATION
- MAINTENANCE-FREE CONNECTION
- PROTECTION AGAINST ELECTRICAL SHOCK-TOUCH SAFE



DESCRIPTION	COLOR	PART
3-Conductor 12-28 AWG Stranded or Solid Wire	Gray	N 2518

SPRING-CON BUTT CONNECTOR

- SIDE ENTRY WIRING TYPE
- 2 CONNECTION POINTS
- CURRENT INTENSITY EN: 24 A
- MEASURED VOLTAGE EN: 400 V
- MEASURED SHOCK VOLTAGE: 4 kV

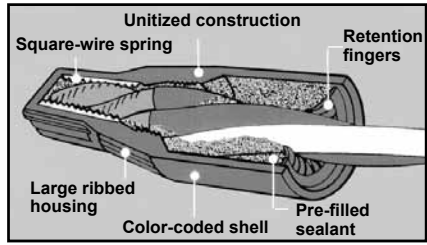


Voltage: 300 V
Current: 20 A

DESCRIPTION	COLOR	PART
3-Conductor 12-28 AWG Stranded or Solid Wire	Gray	N 2516

CIC 200™ WATERPROOF CONNECTORS

REVOLUTIONARY, SELF-CONTAINED TWIST-ON WATER-TIGHT CONNECTORS



- PRE-FILLED WITH SILICONE FOR A COMPLETELY WATER-TIGHT, AIR-TIGHT CONNECTION
- ONE-STEP INSTALLATION – SAVES TIME, MONEY AND LABOR
- COLOR-KEYED TO MOST COMMON CONNECTORS FOR QUICK IDENTIFICATION
- RIBBED HOUSINGS AND LARGE WINGS FOR EASY TWIST-ON INSTALLATION
- U.L. LISTED AND CSA APPROVED FOR PRESSURE-TYPE APPLICATIONS, 486C (CSA APPROVED FOR DIRECT BURIAL, 486D)
- MADE IN U.S.A.

PART	SPECIFICATIONS						TYPICAL APPLICATIONS
	TYPE	MAX. VOLTAGE	SIZE	TEMP. RATING	SEALANT TEMP.	WIRE COMBOS	
2525 #1 Gray	Pressure	300V	15/16" x 1/2"	167°F (75°C)	-45° to 400°F	3 #22 to 2 #16 Cu/Cu	Telecommunications systems, sound systems, thermostats.
2526 #2 Blue	Pressure	300V	1-1/8" x 9/16"	167°F (75°C)	-45° to 400°F	3 #20 to 3 #16 Cu/Cu	Low-voltage lighting, security systems, doorbells, auto and trailer lighting.
2527 #3 Orange	Pressure	600V (1,000 in fixtures & signs)	27/32" x 7/16"	221°F (105°C)	-45° to 400°F	3 #20 to 2 #14 and 1 #18 Cu/Cu	Small fixtures and lamps, range hoods, disposals, humidifiers, auto, and marine.
2528 #4 Yellow	Pressure	600V (1,000 in fixtures & signs)	1-9/16" x 11/16"	167°F (75°C)	-45° to 400°F	4 #18 to 2 #12 Cu/Cu	Light switches & outlets, outside receptacles and light posts, exhaust fans, baseboard heaters, HVAC, floodlights and irrigation.
2529 #5 Red	Pressure	600V (1,000 in fixtures & signs)	1-3/4" x 13/16"	167°F (75°C)	-45° to 400°F	2 #14 to 4 #12 Cu/Cu	Furnace and refrigerator motors, dishwashers, clothes washers and dryers, washdown areas and junction boxes.
2530 #6 Blue	Pressure & Direct Bury	600V (1,000 in fixtures & signs)	2"x13/16"	167°F (75°C)	-45° to 400°F	3 #22 to 4 #12 (or 3 #10) Cu/Cu	Lamp posts, wells, pumps, fountains, site lighting, UF Cable in waterproof boxes.
2531 #9 Blue	Pressure	600V (1,000 in fixtures & signs)	2-7/16" x 1-3/8"	167°F (75°C)	-45° to 400°F	2 #10 Sol to 2 #6 Cu/Cu	Utilities, including power lines, traffic signals, water treatment plants, waste treatment facilities, refineries, electric signs & billboards.

20

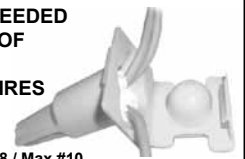
DRYCONN WATERPROOF CONNECTORS

- DIRECT BURY LUG FOR USE WITH UTILITY TRACER LINES
- TIN PLATED HIGH CONDUCTIVITY ALUMINUM LUG WITH ZINC PLATED STEEL SCREWS
- HIGH IMPACT POLYPROPYLENE HOUSING
- NON-HARDENING VISCOUS DIELECTRIC SILICONE SEALANT



Maximum Voltage: 50V
 Connector Size: 1.138" x 1.285"
 Wire Range: #14-10 solid and stranded copper; #12 steel core tracer wire (380 and 1200 pound)
 Silicone Sealant Temperature Rating: -45°F to 400°F

- DIRECT BURY TWIST-ON CONNECTOR WITH STRAIN RELIEF
- INTEGRATED TWIST-ON CONNECTOR – NO ADDITIONAL WIRE CONNECTOR NEEDED
- WATERPROOF AND CORROSION PROOF
- ONE PIECE FOR EASY INSTALLATION
- DESIGNED FOR USE WITH TRACER WIRES



Maximum Voltage: 50V
 Connector Size: 1.75" x 2.28"
 Wire Type: Copper / Copper Wire Range: Min #18 / Max #10
 Silicone Sealant Temperature Rating: -45°F to 400°F

DESCRIPTION	PART	DESCRIPTION	PART
Yellow Waterproof Lug (Low Volt – 50V)	A 2514	Yellow Low Volt Direct Bury Twist-on Connector (50V)	E 2509

WEATHERPAK ELECTRICAL CONNECTORS
















WEATHERPAK CONNECTORS

Weatherpak connectors are designed for the engine compartment of a vehicle. They are made specifically to endure harsh environmental applications.













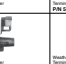


- Audible snap-action locking for housing and secondary terminal lock helps reduce terminal stress, providing proper terminal positioning and access to the terminals for service.

- Stops in cavities to insure proper insertion of terminals.
- Indexed nylon housings are rated to -40°F to 257°F (-40°C to 125°C).
- Housing, terminals, plugs and seals are sold separately.
- Applications
 - Vehicle engine compartments
 - Marine applications
 - Agricultural equipment
 - Construction
 - Off Road

WEATHERPAK ASSORTMENTS

CHROMATE INDUSTRIAL CORP. HMMVV WEATHERPAK/ELECTRICAL KIT				
FEATURES: • Sealed against dust, dirt and moisture • Terminal and seals are secured in the connector • Silicone seals must be used with the terminals • Snap action lock for easy access to terminals				
P/N 17010				
 Weatherpak Terminal Extractor Tool P/N 12014	 Weatherpak Male Terminal P/N 12006	 Weatherpak Female Terminal P/N 12006	 Weatherpak Male Terminal P/N 12007	 Weatherpak Female Terminal P/N 12007
 Weatherpak Cable Seal - Green P/N 12010	 Weatherpak Cable Seal - Gray P/N 12011	 Weatherpak Terminal Plug P/N 12014	 Weatherpak Terminal Plug P/N 12015	 Weatherpak Terminal Plug P/N 12016
 Weatherpak Seal P/N 12014	 Weatherpak Seal P/N 12015	 Weatherpak Seal P/N 12016	 Weatherpak Seal P/N 12017	 Weatherpak Seal P/N 12018

- Weatherpack locking connectors
- Sealed against dust, dirt and moisture
- Terminals and seals are secured in the connector body with a hinge lock assembly
- Silicone seals must be used with the terminals.
- HMMVV Weatherpak/Electrical Kit P/N 17010

CHROMATE INDUSTRIAL CORP. WEATHERPAK ASSORTMENT				
FEATURES: • Sealed against dust, dirt and moisture • Terminal and seals are secured in the connector • Silicone seals must be used with the terminals • Snap action lock for easy access to terminals				
P/N 17016				
 Weatherpak Terminal Extractor Tool P/N 12014	 Weatherpak Male Terminal P/N 12006	 Weatherpak Female Terminal P/N 12006	 Weatherpak Male Terminal P/N 12007	 Weatherpak Female Terminal P/N 12007
 Weatherpak Cable Seal - Green P/N 12010	 Weatherpak Cable Seal - Gray P/N 12011	 Weatherpak Terminal Plug P/N 12014	 Weatherpak Terminal Plug P/N 12015	 Weatherpak Terminal Plug P/N 12016
 Weatherpak Seal P/N 12014	 Weatherpak Seal P/N 12015	 Weatherpak Seal P/N 12016	 Weatherpak Seal P/N 12017	 Weatherpak Seal P/N 12018

- Weatherpak Assortment P/N 17016

ASSEMBLY



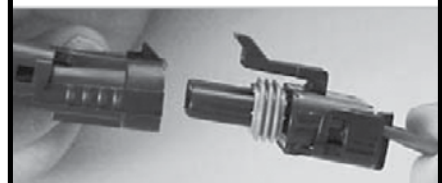
1 Apply seal to cable, before stripping insulation.



2 Crimp terminal onto stripped wire and seal and insert into connector housing.



3 Once all terminals are inserted, lock wire and seals as shown above.



4 Once steps 1, 2, and 3 are completed for male and female housings connect together until locked.

CRIMPING TOOLS

Duplicated factory crimps on open barrel terminals used in automotive, computer and control applications.

- P/N 32192 – overall length 9"
- P/N 32193 – overall length 8-1/2"

- Designed for the positive crimping of Weatherpack terminals.
- Quality tools for long-lasting and dependable service.

- P/N 32192 features ratcheting jaws that assures a perfect crimp every time.
- P/N 32193 features 5 machined and hardened crimp stations & parallel jaws.



**Terminal Extractor Tool
P/N 12014**



**Ratcheting Crimper (20-14 GA)
P/N 32192**



**Open Barrel Terminal Crimper (24-14 GA)
P/N 32193**

WEATHERPAK ELECTRICAL CONNECTORS

TERMINAL TOWERS AND SHROUDS

- Audible snap-action locking for housing and secondary terminal lock helps reduce terminal stress.
- Snap-action locking provides proper terminal positioning and easy access to the terminals for service.
- Stops in cavities to insure proper insertion of terminals.
- Indexed nylon housings are rated to -40°F to 257°F (-40°C to 125°C).
- Housing, terminals, plugs and seals are sold separately.



Weatherpak 1 Terminal Tower
P/N 532314



Weatherpak 1 Terminal Shroud
P/N 532315



Weatherpak 2 Terminal Tower
P/N 532316



Weatherpak 2 Terminal Shroud
P/N 532317



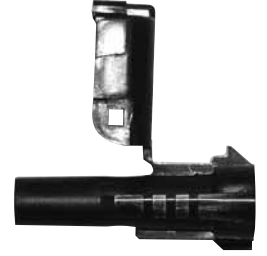
Weatherpak 3 Terminal Tower
P/N 532318



Weatherpak 3 Terminal Shroud
P/N 532319



Weatherpak 4 Terminal Tower
P/N 532320



Weatherpak 4 Terminal Shroud
P/N 532321

20

TERMINALS

- Flex-pin and lap-lock design gives these terminals a positive connection rated for a continuous current of 20 amps.
- Dual “tang” design lock terminal into connector cavity.
- Cable seal crimp wings reduce strain on the cable core and assure proper positioning of the cable seal.



Weatherpak Female Terminal
20-18 GA
P/N 532308



Weatherpak Male Terminal
20-18 GA
P/N 532309



Weatherpak Female Terminal
16-14 GA
P/N 532306



Weatherpak Male Terminal
16-14 GA
P/N 532307

CABLE SEALS

- Self-lubricating, silicone seals have multiple “ribs” to guard against dust, moisture, engine compartment fluids and chemicals.
- Cavity seals are crimped to the terminal to assure positive position of the seal in the housing cavity.
- The cavity plug is designed to fill and seal unused cavities.



Weatherpak Cable Seal
Green
20-18 GA
P/N 532312



Weatherpak Cable Seal
Gray
16-14 GA
P/N 532311

PLUG CONNECTOR KITS



Male
Plug Connector Kit
P/N 534441

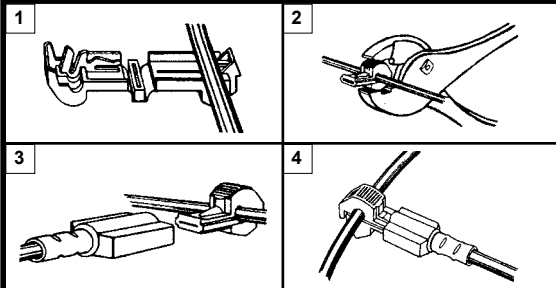


Female
Plug Connector Kit
P/N 534442



CIC 200™ QUICK TAP CONNECTORS

T-TAP QUICK SLIDE CONNECTOR



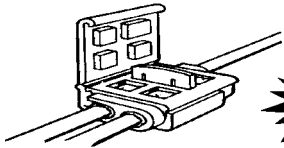
- DISCONNECTABLE TAP LEG SIMPLIFIES HOOKUP, ENHANCES FLEXIBILITY.
- FLAG QUICK-SLIDE MATES WITH ALL .250" (1/4") MALE BLADES.
- SELF-STRIPPING CONNECTOR SPEEDS INSTALLATION, REDUCES POSSIBLE CONDUCTOR DAMAGE AND ELIMINATES TIME CONSUMING MID-SPAN TAP.
- FULLY INSULATED FEATURE ELIMINATES SECOND STEP INSULATING AND IMPROVES CIRCUIT ISOLATION.
- 3 SIZES ARE AVAILABLE TO ACCOMMODATE 22-12 AWG WITH STANDARD .250" MALE BLADES TO HELP MINIMIZE INVENTORY.
- CRIMPS WITH COMMON PLIERS. NO SPECIAL TOOLS ARE REQUIRED.

COLOR	RED 22-18	BLUE 16-14	YELLOW 12-10
SIZE	1/4	1/4	1/4
PART	R 2039*	R 2043*	R 2056*

* FOR USE WITH 1/4" MALE QUICK SLIDE TERMINALS. SEE QUICK SLIDE TERMINAL PAGES.

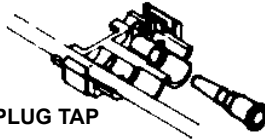
IN-LINE QUICK TAP CONNECTORS

MOISTURE RESISTANT



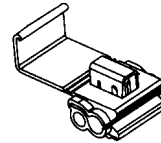
WEATHER PROOF!

BLACK



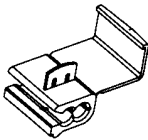
.157 SNAP-PLUG TAP

BROWN

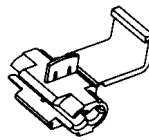


TAP	RUN	PART	TAP	RUN	PART	TAP	RUN	PART
14-18	14-18	N 2795	.157	14-18	N 2777	14-18	10-12	N 2789

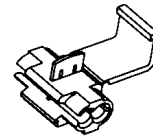
YELLOW



BLUE



RED

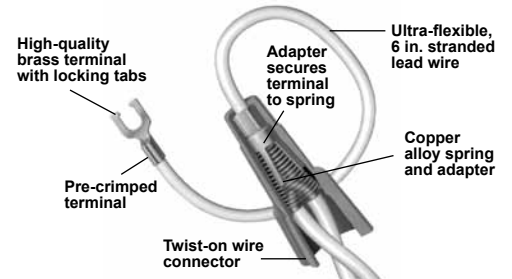


TAP	RUN	PART	TAP	RUN	PART	TAP	RUN	PART
10-12	10-12	N 2788	14-18	14-18	N 2787	18-22	14-18	N 2794

QUICK-NUT CONNECTORS

PIGTAIL CONNECTORS

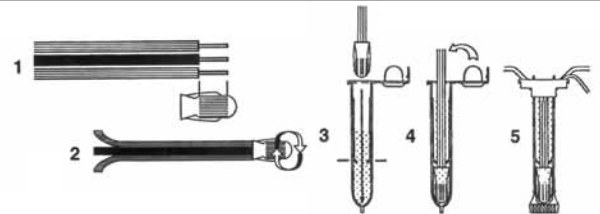
- COMBINATION OF A TWIST-ON CONNECTOR, FLEXIBLE LEAD AND TERMINAL FOR A ONE-PIECE PIGTAILING SOLUTION
- ELIMINATES LOCATING, CUTTING, STRIPPING AND ADDING WIRE TO YOUR DEVICE TERMINATIONS – SLASHING YOUR INSTALLATION TIME BY TWO-THIRDS
- TEMPERATURE RATED TO 221°F/105°C
- RATED AT 600V MAXIMUM (1000V MAXIMUM IN SIGNS AND FIXTURES)
- UL486A AND UL486C LISTED
- UL LISTED TO CANADIAN STANDARDS C22.2 #65 AND C22.2 #188



SHELL COLOR	WIRE COLOR	TERMINAL END	PART	SHELL COLOR	WIRE COLOR	TERMINAL END	PART
Yellow	Black	#10 Fork	20621	Red	White	Stripped End	20624
Red	White	#10 Fork	20622	Red	Black	Stripped End	20625
Red	Black	#10 Fork	20623	Green	Green	#10 Fork	20626

DIRECT BURY SPLICE KITS

- THESE UNDERGROUND ELECTRIC WIRE CONNECTORS SPLICE AND EFFECTIVELY MOISTURE-SEAL TWO OR MORE CONDUCTORS FOR FAST, EASY AND PERMANENT CONNECTIONS IN BURIED APPLICATIONS
- AVAILABLE IN 30V FOR LOW VOLTAGE CIRCUITS AND 600V FOR HIGHER LINE VOLTAGE
- OPERATING TEMPERATURE: – 40°F TO 221°F
- UL LISTED AND CSA CERTIFIED FOR DIRECT BURIAL SPLICES



COLOR	YELLOW		RED		RED	
VOLT	30V		30V		600V	
PART	N	2511	N	2512	N	2513

CIC 200™ BLADE GROUNDING CLIPS

FOR MID-SPAN OR WIRE END GROUNDING

- UNIQUE SPRING STEEL CLIP PROVIDES A POSITIVE CONNECTION OF A GROUND WIRE TO A PANEL, PLATE OR FRAME
- POSITIVE GROUND ON BARE METAL AND MOST PAINTED OR COATED PANELS
- WIRE STRIPPING AND TERMINALS ARE NOT REQUIRED
- NO SOLDERING REQUIRED
- THE AMOUNT OF WIRES REQUIRED IS GREATLY REDUCED

APPLICATIONS:

- APPLIANCES • LIGHTING FIXTURES • MOTORS
- AUTOMOTIVE, TRUCKING AND INDUSTRIAL VEHICLES
- ANY ELECTRICAL DEVICES THAT REQUIRE THE GROUNDING OF WIRES TO METAL PANELS OR PLATES

WIRE SIZE	18-12	18-12	
PANEL THICK.	.020-.078	.078-.125	
PART	R 2620	R 2622	

20

CIC 200™ CRIMPING AND STRIPPING TOOLS

CIRCUIT ALERT™ WIRE STRIPPER

CIRCUIT ALERT™ WIRE STRIPPERS SENSE VOLTAGE, CUT BOLTS AND STRIP WIRE

- MULTI-PURPOSE TOOL CUTS, STRIPS AND LOOPS THE MOST COMMON TYPES AND SIZES OF WIRE . . . AND IT CUTS BOLTS TOO!
- BUILT-IN NON-CONTACT VOLTAGE SENSOR PROVIDES ADDITIONAL SAFETY WITH BOTH VISUAL FLASHING AND AUDIBLE BEEPING WHEN AC VOLTAGE IS PRESENT
- VOLTAGE RANGE: 50 - 600 V
- FREQUENCY RANGE: 50 - 500 Hz
- LIFETIME WARRANTY!
- UL LISTED

PART #2542

- Strips solid #10, #12, #14, #16 and #18
- Strips stranded #12, #14, #16, #18 and #20
- Cuts and rethreads bolt size 6-32, 8-32 and 10-32

Part #2543

- Strips #12/2 and #14/2 Romex® (NM) cable
- Cuts and rethreads bolt size 6-32, 8-32 and 10-32

NOTE: Replaceable 1.5 volt button cell batteries (2) included. Compatible with SR43/301/GP86/SG12.

Non-Contact Voltage Sensor

Strips Wire or Cable

Loops Wire

Cut Bolts

DESCRIPTION	PART	DESCRIPTION	PART
Circuit Alert Wire Stripper – Strips 10-20 awg	N 2542	Circuit Alert Wire Stripper – Strips Romex® Cable	N 2543

CRIMPING AND STRIPPING TOOLS

MULTI-PURPOSE STRIP AND CRIMP TOOL

- CUT, STRIP, LOOP, GAUGE AND CRIMP
- STRIPS: 22-8 AWG SOLID WIRE, 26-10 AWG STRANDED WIRE
- CAN ALSO BE USED TO GAUGE WIRE SIZES
- TWO-KNIFE-TYPE WIRE CUTTERS
- HOLES FOR CUTTING BOLT SIZES
4-40, 6-32, 8-32, 10-32 AND 10-24
- CRIMPING DIE FOR 7-8MM IGNITION TERMINALS
- PIVOT NUT TO ADJUST TENSION TO YOUR PREFERENCE

- COLOR-CODED CRIMPING DIES FOR 26-14 AND 12-10 INSULATED AND 22-10 NON-INSULATED TERMINALS AND CONNECTORS
- LEFT AND RIGHT-HAND LOOPING HOLES
- COMFORTABLE PLASTIC-COVERED HANDLES REDUCE FATIGUE



P/N 8256

2-IN-1 CUTTER/STRIPPER

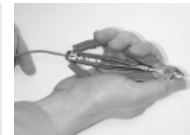
- CUT WITH ONE END, STRIP WITH THE OTHER
- STRIPPER SELF-ADJUSTS TO WIRE SIZE
- CUTTING HEAD IS FULL-FLUSH CUTTING AND LOW-PROFILE WITH STAINLESS STEEL, INDUCTIVE HARDENED JAWS



P/N 2541



1. Insert wire into stripper.



2. Catch, hold and strip wire in one quick motion.



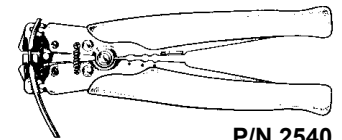
3. Cut wire using cutting head.

P/N 2541 5" CUTTER/STRIPPER FOR LOW-VOLTAGE WIRE STRIPS SOFT-COPPER (STRANDED) WIRE SIZES 26 TO 14 AWG

P/N 2544 6" CUTTER/STRIPPER FOR ELECTRICAL WIRE STRIPS SIZES 14 TO 10 AWG

SUPER STRIPPER TOOL

- STRIPS: UNIQUE JAWS SELF-ADJUST TO STRIP TO TO 26 GAUGE WIRE FAST AND EASY
- CRIMPS: INSULATED AND UNINSULATED 22 TO 10 GAUGE TERMINALS
- WIRE CUTTER: CUTS CLEAN AND SMOOTH WITH ITS SPECIAL MACHINED KNIFE CUTTER
- RUGGED CONSTRUCTION: PROFESSIONAL QUALITY TO ENSURE A LONG LIFE OF ACCURATE OPERATION
- COMFORTABLE AND EASY TO USE

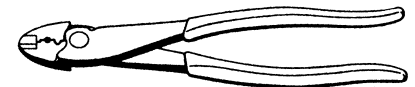


P/N 2540

TERMINAL CRIMPER

- THIN NOSE PERMITS WORK IN CONFINED SPACE
- CRIMPING DIE MARKED FOR INSULATED AND NON-INSULATED SOLDERLESS TERMINALS AND CONNECTORS
- ACCOMMODATES WIRE FROM NO. 10 TO 22 AWG

- WIRE CUTTER IN NOSE
- RED PLASTIC-DIPPED HANDLES FOR COMFORT
- LENGTH 9-3/4"

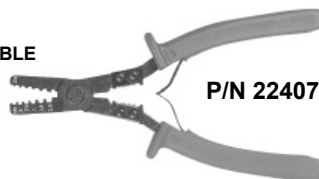


P/N 8210

HOLLOW PIN CRIMPING TOOLS

26-13 GA

- MAKES TRAPEZOIDAL CRIMPS
- INCLUDES CUTTER AND REPLACEABLE STRIPPER BLADE SET
- RANGE: 23 - 13 AWG
- LENGTH: 6.9"
- WEIGHT: 0.4 LBS.



P/N 22407

25-10 GA

- MAKES SQUARE SHAPED CRIMPS
- RATCHET MECHANISM ASSURES COMPLETE CRIMPS
- ADJUSTS AUTOMATICALLY TO CORRECT CRIMP SIZE
- RANGE: 25 - 10 AWG
- LENGTH: 6.9" • WEIGHT: 1.1 LBS.



P/N 22408

CRIMPING AND STRIPPING TOOLS

RATCHET CRIMPING TOOL (FOR HEAT SHRINK TERMINALS)

- Designed for heat shrink terminals
- 4 Crimp Nests
 - 22-18 AWG, Red
 - 16-14 AWG, Yellow
 - 12-10 AWG, Blue
 - 8 AWG, Red
- Mating mechanism prevents the jaws from slipping or mis-alignment
- Long comfortable handles make it easier to crimp (less force required)
- Easy to use ergonomic design



P/N 2539

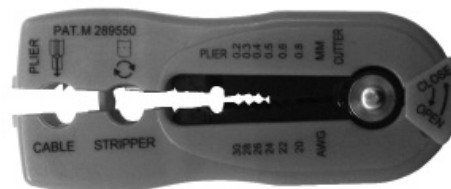


4 Crimp Nests

20

UTILITY WIRE STRIPPER (CABLE STRIPPER/WIRE STRIPPER)

- FOR AWG 30 / 28 / 26 / 24 / 22 / 20
- FOR 0.2 / 0.3 / 0.4 / 0.5 / 0.6 / 0.8 mm
- CABLE STRIPPER USE - UNDER 9.5 mm
- CABLE STRIPPER - ROUND AND STRAIGHT CUT



P/N 2546

WEATHERPAK CRIMPING TOOLS

- Duplicated factory crimps on open barrel terminals
- Use in automotive, computer and control applications
- For terminal sizes: 20-14 GA and 24-14 GA
- Designed for the positive crimping of Weatherpack terminals
- Quality tools for long-lasting and dependable service
- P/N 32192 – Overall length 9" Features ratcheting jaws that assures a perfect crimp every time
- P/N 32193 – Overall length 8-1/2" Features 5 machined and hardened crimp stations & parallel jaws



Ratcheting Crimper (20-14 GA)
P/N 32192



Open Barrel Terminal Crimper (24-14 GA)
P/N 32193

TORCHES

SELF-IGNITING TORCH

- BUILT-IN SELF-IGNITING IGNITION SYSTEM
- RUNS ON BUTANE FUEL
- FLAME TEMPERATURE UP TO 2500°F (1300°C)
- TWO HOURS OF NONSTOP BURNING

SPECIFICATIONS:

Size 1.37 x 6.10 x 2.95 (35mm x 155mm x 75mm)
 Weight 5.7 oz. / 161 g
 Fuel Butane
 Nonstop run time 2 hours
 Flame temp 2500°F (1300°C)
 Fuel capacity 20 cc



P/N 8865

HEAT GUN – CORDLESS / BUTANE POWERED / PROFESSIONAL

FEATURES

- Heavy Duty
- Butane-Powered
- Battery Operated Blower
- Complete with 4 Alkaline Batteries (Also Use Rechargeable Nicad Batteries)
- Dial Your Temperature Range 400°F - 800°F
- Diode Indicates Blower Motor Operation
- Heat Reflector Tip Attachment Included
- Butane Fill Lasts for 1 Hour in Mid-temperature Setting

SPECIFICATIONS:

Fuel Butane
 Nonstop run time 1 hour in mid temperature setting
 Flame temp 400°F to 800°F

APPLICATIONS

- Wiring Applications
- Easy Paint Removal
- Wherever High Heat Is Needed



P/N 52243

20

SOLDER / TORCH TOOLS

SOLDER PRO 180™

- EQUIVALENT TO A 185-WATT SOLDERING IRON AND 2500°F TORCH
- POWERED BY PATENTED REFILLABLE LIQUID ENERGY CELL (LEC)
- COMES WITH 3.4MM CHISEL SOLDERING TIP AND BLOW TORCH HEAD, 2 LECs
- SAFELY TRAVELS ANYWHERE WITHOUT HAZARD
- CORDLESS, SIMPLE AND SAFE TO OPERATE IN ALMOST ANY CONDITION
- READY TO USE IN 30 SECONDS AFTER IGNITION
- TIPS CHANGE IN SECONDS FOR SOLDERING GUN, TORCH OR HOT AIR BLOWER
- REMOVABLE LEC™ CONTAINS POWER FOR UP TO 120 MINUTES
- RECHARGE FROM BUTANE FUEL AVAILABLE ALMOST ANYWHERE
- FREE STANDING – DOES NOT REQUIRE SEPARATE STAND

SPECIFICATIONS:

Length w/soldering tip ... 203mm (8in)
 Weight (with LEC™) 560 g
 Approximate temp. 250-550°C
 soldering tip (480-1000°F)
 Torch 1300°C (2500°F)
 Gas container capacity . 40 ml
 Operating Time 100 min @
 (one gas filling) mid setting



DESCRIPTION	PART	TIP STYLE	PART	TIP STYLE	PART
Solder Pro 180™ with LEC™ Power Technology	A 8842	Heat Blower	A 8842PS70	Deflector	A 8842PS80

EXCALIBUR BUTANE SOLDER / TORCH KIT

- BUTANE POWERED, SELF-IGNITING, PORTABLE, MULTI-FUNCTION HEAT TOOL
- 30W TO 100W POWER RANGE
- AUTOMATIC PIEZO IGNITION
- COMPLETE PORTABILITY
- COMFORTABLE GRIP
- RAPID TIP HEAT-UP
- COMPLETE WITH:

SPECIFICATIONS:

Approximate Temperatures:
 Soldering Tip 250-500°C (480-950°F)
 Torch 1300°C (2400°F)
 Hot Knife 200-350°C (400-660°F)
 Heat Blower 250-500°C (480-950°F)
 Gas Container Capacity 15 grams
 Operating Time (one gas filling) 70 min at mid-setting



P/N 8843

5 TIPS – CONICAL, HOT KNIFE, HEAT BLOWER, REFLECTOR, PLUS 2 SPECIALTY SOLDER TIPS, 17 GRAM TUBE 60/40 SOLDER, COOLING/CLEANING SPONGE AND HEAVY DUTY ULTRA-BOX

CIC 200™ PRIMARY WIRE

GENERAL PURPOSE



SINGLE CONDUCTOR



DUAL CONDUCTOR

HEAVY DUTY THERMOPLASTIC BLACK AND WHITE INSULATED COPPER CONDUCTORS. GRAY PLASTIC OUTER JACKETS.

- SAE TYPE GPT
- BARE COPPER CONDUCTOR WITH SOLID THERMOPLASTIC INSULATION
- WEATHER RESISTANT
- IMPERVIOUS TO OIL, GREASE OR DIESEL FUMES
- EXCELLENT RESISTANCE TO HEAT, PRESSURE, ABRASION AND WATER
- WILL NOT SUPPORT COMBUSTION
- TEMPERATURE RANGE: -30°F TO 165°F
- 100 FOOT ROLLS

SIZE	STRANDS	COLOR	PART	SIZE	STRANDS	COLOR	PART	SIZE	STRANDS	COLOR	PART
18	16	BLACK	A 8101	16	19	ORANGE	A 8155	12	19	RED	A 8134
18	16	WHITE	A 8102	14	19	BLACK	A 8121	12	19	YELLOW	A 8138
18	16	RED	A 8104	14	19	WHITE	A 8122	12	19	BLUE	A 8159
18	16	BROWN	A 8099	14	19	RED	A 8124	10	19	BLACK	A 8141
16	19	BLACK	A 8111	14	19	BLUE	A 8125	10	19	WHITE	A 8142
16	19	WHITE	A 8112	14	19	GREEN	A 8126	10	19	RED	A 8144
16	19	RED	A 8114	14	19	BROWN	A 8127	10	19	YELLOW	A 8162
16	19	BLUE	A 8115	14	19	YELLOW	A 8128	10	19	BLUE	A 8163
16	19	GREEN	A 8116	14	19	PINK	A 8100	8	19	RED	A 8154
16	19	BROWN	A 8117	12	19	BLACK	A 8131	6	19	BLACK	A 8161
16	19	YELLOW	A 8118	12	19	WHITE	A 8132	14 (2-Wire)	19	GRAY	A 8167

CROSS-LINK WIRE



- TYPE SXL, SAE J1128
- CROSS-LINKED POLYETHYLENE INSULATION HAS SMOOTH SURFACE FINISH
- MOISTURE RESISTANT
- CHEMICAL RESISTANT — IMPERVIOUS TO GREASE, OIL, GASOLINE AND ACIDS
- HIGH TEMPERATURE RANGE: -50°F TO 350°F WITHOUT MELTING OR FUSING
- 100 FOOT ROLLS

SIZE	STRANDS	COLOR	PART	SIZE	STRANDS	COLOR	PART	SIZE	STRANDS	COLOR	PART
18	16	BLACK	A 8103	16	19	BROWN	A 8119	12	19	BLACK	A 8139
18	16	WHITE	A 8105	16	19	YELLOW	A 8120	12	19	WHITE	A 8140
18	16	RED	A 8106	14	19	BLACK	A 8123	12	19	RED	A 8143
18	16	BLUE	A 8164	14	19	WHITE	A 8129	12	19	BROWN	A 8098
16	19	BLACK	A 8107	14	19	RED	A 8130	12	19	YELLOW	A 8145
16	19	WHITE	A 8108	14	19	BLUE	A 8133	10	19	BLACK	A 8146
16	19	RED	A 8109	14	19	GREEN	A 8135	10	19	WHITE	A 8147
16	19	BLUE	A 8110	14	19	BROWN	A 8136	10	19	RED	A 8148
16	19	GREEN	A 8113	14	19	YELLOW	A 8137	—	—	—	—

TRAILER LIGHT CABLE

100 FOOT ROLLS



- MEETS SAE J1128 SPECS
- FOR USE AT 50 VOLTS OR LESS
- TEMPERATURE RATING: -7.6°F (-22°C) TO 176°F (80°C)
- FULL GAUGE COPPER CORE TO SAE AND ATA SPECIFICATIONS
- MULTIPLE CONDUCTOR CABLE, COLOR-CODED FOR CIRCUIT IDENTIFICATION

14/4 = RED / WHITE / BLACK / BROWN

14/6 = RED / WHITE / BLACK / BROWN / GREEN / YELLOW

14/7 = RED / WHITE / BLACK / BROWN / GREEN / YELLOW / BLUE

12/6-10/1 = RED / WHITE / BLACK / BROWN / GREEN / YELLOW / BLUE

GAUGE	PART	GAUGE	PART
14/4	A 28115	14/7	A 28117
14/6	A 28116	12/6-10/1	A 28120

MULTI-CONDUCTOR PRIMARY WIRE

- MEETS SAE J1128 SPECIFICATIONS
- FOR USE AT 50 VOLTS OR LESS
- TEMPERATURE RATING: 221°F (105°C)
- HEAVY DUTY PVC GRAY JACKET WITH COLOR CODED CONDUCTORS

- RECOMMENDED FOR TRUCKS, BUSES, TRACTORS, LIGHT DUTY BOATS AND GENERAL SERVICE

BLACK/WHITE/GREEN/RED
100 FOOT ROLLS



GAUGE	PART	GAUGE	PART	GAUGE	PART
16/2	A 28100	14/3	A 28104	12/4	A 28108
16/3	A 28101	14/4	A 28105	10/2	A 28109
16/4	A 28102	12/2	A 28106	10/3	A 28110
14/2	A 28103	12/3	A 28107	10/4	A 28111

WIRE ASSORTMENTS

WIRE STORAGE CADDY ASSORTMENTS

Convenient, durable and easy to use, the wire storage caddy is a great, portable organizational tool.

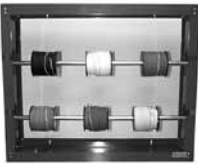

- Heavy duty cold rolled steel construction
- Durable baked red enamel finish
- Large carrying handle makes transportation easy
- Lid can be secured with a padlock
- Plenty of storage for connectors, terminals, tape, and strip/crimp tools

	DESCRIPTION	PART																					
	<p>Wire Storage Caddy – Primary Wire Assortment Wire caddy with six 100' rolls of primary wire and multipurpose strip/crimp tool.</p> <table border="0"> <thead> <tr> <th>Wire</th> <th>Part No.</th> <th></th> </tr> </thead> <tbody> <tr> <td>• 18 GA, red</td> <td>8104</td> <td></td> </tr> <tr> <td>• 16 GA, black</td> <td>8111</td> <td></td> </tr> <tr> <td>• 16 GA, white</td> <td>8112</td> <td></td> </tr> <tr> <td>• 14 GA, blue</td> <td>8125</td> <td></td> </tr> <tr> <td>• 14 GA, green</td> <td>8126</td> <td></td> </tr> <tr> <td>• 12 GA, yellow</td> <td>8138</td> <td></td> </tr> </tbody> </table> <p style="text-align: right;">Dimensions: 16-3/4" H x 11" W x 7-1/2" D</p>	Wire	Part No.		• 18 GA, red	8104		• 16 GA, black	8111		• 16 GA, white	8112		• 14 GA, blue	8125		• 14 GA, green	8126		• 12 GA, yellow	8138		A 17996
Wire	Part No.																						
• 18 GA, red	8104																						
• 16 GA, black	8111																						
• 16 GA, white	8112																						
• 14 GA, blue	8125																						
• 14 GA, green	8126																						
• 12 GA, yellow	8138																						
	<p>Wire Storage Caddy – Cross-link Wire Assortment Wire caddy with six 100' rolls of cross-link wire and "super stripper" strip/crimp tool.</p> <table border="0"> <thead> <tr> <th>Wire</th> <th>Part No.</th> <th></th> </tr> </thead> <tbody> <tr> <td>• 18 AWG, red</td> <td>8106</td> <td></td> </tr> <tr> <td>• 16 AWG, black</td> <td>8107</td> <td></td> </tr> <tr> <td>• 16 AWG, white</td> <td>8108</td> <td></td> </tr> <tr> <td>• 14 AWG, blue</td> <td>8133</td> <td></td> </tr> <tr> <td>• 14 AWG, green</td> <td>8135</td> <td></td> </tr> <tr> <td>• 12 AWG, yellow</td> <td>8145</td> <td></td> </tr> </tbody> </table> <p style="text-align: right;">Dimensions: 16-3/4" H x 11" W x 7-1/2" D</p>	Wire	Part No.		• 18 AWG, red	8106		• 16 AWG, black	8107		• 16 AWG, white	8108		• 14 AWG, blue	8133		• 14 AWG, green	8135		• 12 AWG, yellow	8145		A 17995
Wire	Part No.																						
• 18 AWG, red	8106																						
• 16 AWG, black	8107																						
• 16 AWG, white	8108																						
• 14 AWG, blue	8133																						
• 14 AWG, green	8135																						
• 12 AWG, yellow	8145																						

20

CROSS-LINK WIRE ASSORTMENTS

Sturdy steel wire spool racks keep all your cross link wire in one convenient location. One of each of the most popular sizes. Easy to pull, easy to return, with no more missing boxes.

	DESCRIPTION	PART
	<p>2 Bar Rack Contains 1 each of 14 gauge wire sizes: - black (8123) - white (8129) - red (8130) - green (8135) - blue (8133) - yellow (8137)</p>	A 17783
	<p>4 Bar Rack Contains 1 each of 16 and 14 gauge wire sizes: - black (8123 and 8107) - white (8129 and 8108) - red (8130 and 8109) - green (8135 and 8113) - blue (8133 and 8110) - yellow (8137 and 8120)</p>	A 17784

NYLON SHIELDED HOOK-UP WIRE

BUILDING, FIXTURE AND MACHINE TOOL WIRE

Suitable for new construction or rewiring in accordance with NEC for 600V applications.

- CONSTRUCTION PROVIDES STRANDED UNCOATED COPPER INSULATED WITH A FLAME RETARDANT POLYVINYL CHLORIDE (PVC) COMPOUND
- TOUGH NYLON JACKET PROVIDES EXCELLENT ABRASION, CHEMICAL, GASOLINE AND OIL RESISTANCE
- TEMPERATURE RATING: 90°C DRY OR 75°C WET
- NEC CODE FOR 600 VOLT APPLICATIONS
- THHN/THWN/TFFN/MTW



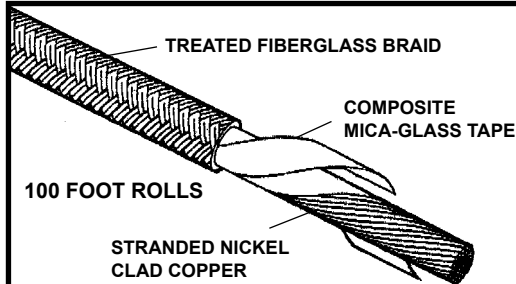
100 FOOT ROLLS

SIZE	STRANDS	COLOR	PART	SIZE	STRANDS	COLOR	PART	SIZE	STRANDS	COLOR	PART
18	7	RED	A 28128	16	7	GREEN	A 28137	12	7	BLACK	A 28145
18	7	WHITE	A 28129	14	7	RED	A 28138	12	7	BLUE	A 28146
18	7	BLACK	A 28130	14	7	WHITE	A 28139	12	7	GREEN	A 28147
18	7	BLUE	A 28131	14	7	BLACK	A 28140	10	7	RED	A 28148
18	7	GREEN	A 28132	14	7	BLUE	A 28141	10	7	WHITE	A 28149
16	7	RED	A 28133	14	7	GREEN	A 28142	10	7	BLACK	A 28150
16	7	WHITE	A 28134	12	7	RED	A 28143	10	7	BLUE	A 28151
16	7	BLACK	A 28135	12	7	WHITE	A 28144	10	7	GREEN	A 28152
16	7	BLUE	A 28136								

HIGH TEMPERATURE WIRE

UL/CSA 600V HIGH TEMPERATURE LEAD WIRE

High temperature lead wire or heating cable for use in applications where abrasion, durability and corrosion resistance are required.



- SPECIALLY CONSTRUCTED HIGH TEMPERATURE LEAD WIRE DESIGNED FOR FURNACES, OVENS, KILNS, HEATERS AND OTHER HIGH TEMPERATURE APPLICATIONS
- ALSO SUITABLE FOR USE AS A HIGH TEMPERATURE RESISTANCE HEATING CABLE
- EXCELLENT RESISTANCE TO ABRASION AND MECHANICAL ABUSE
- SUPERIOR CORROSION RESISTANCE
- TEMPERATURE RATING: 450°C
- VOLTAGE RATING: 600 VOLTS
- CONTAINS NO ASBESTOS

SIZE	STRANDS	O.D.	COLOR	PART
20	10/30	.110	NATURAL	A 28121
18	16/30	.118	NATURAL	A 28122
16	26/30	.130	NATURAL	A 28123
14	41/30	.150	NATURAL	A 28124
12	65/30	.170	NATURAL	A 28125
10	105/30	.225	NATURAL	A 28126
8	133/29	.255	NATURAL	A 28127

CIC 200™ TEST CLIPS

ALLIGATOR CLIPS

STANDARD ALLIGATOR CLIPS

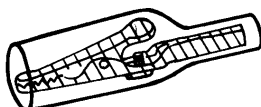


LENGTH	JAW OPENING	MATERIAL	CONNECTION	COLOR	AMP	PART
2	5/16	STEEL CAD. PLATED	SCREW	NON-INSULATED	10	N 8270
2	5/16	STEEL CAD. PLATED	SOLDER OR CRIMP	NON-INSULATED	10	N 28271
2-3/8	5/16	STEEL CAD. PLATED	SCREW	BLACK	10	N 8272
2-3/8	5/16	STEEL CAD. PLATED	SCREW	RED	10	N 8274
2	5/16	SOLID COPPER	SCREW	NON-INSULATED	10	L 8276
2-3/8	5/16	SOLID COPPER	SCREW	BLACK	10	L 8278
2-3/8	5/16	SOLID COPPER	SCREW	RED	10	L 8280

MINI-GATOR CLIPS

LENGTH	JAW OPENING	MATERIAL	CONNECTION	COLOR	AMP	PART
1-3/32	3/16	STEEL CAD. PLATED	SOLDER OR CRIMP	NON-INSULATED	5	L 8284
1-3/32	3/16	SOLID COPPER	SOLDER OR CRIMP	NON-INSULATED	5	L 8286
1-1/4	3/16	STEEL W/BARREL	SOLDER OR CRIMP	NON-INSULATED	5	L 28270

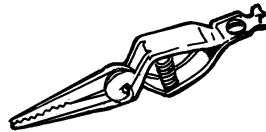
ALLIGATOR INSULATORS



INSULATOR FOR	MATERIAL	COLOR	PART	INSULATOR FOR	MATERIAL	COLOR	PART
8284 or 8286	VINYL	BLACK	N 28274	8290	VINYL	BLUE	N 28289
8284 or 8286	VINYL	BLUE	N 28275	8290	VINYL	GREEN	N 28290
8284 or 8286	VINYL	GREEN	N 28276	8290	VINYL	RED	N 28291
8284 or 8286	VINYL	RED	N 28277	8290	VINYL	WHITE	N 28292
8284 or 8286	VINYL	WHITE	N 28278	8290	VINYL	YELLOW	N 28293
8284 or 8286	VINYL	YELLOW	N 28279	8292	VINYL	BLACK	I 28294
28270	VINYL	BLACK	N 28280	8292	VINYL	BLUE	I 28295
28270	VINYL	RED	N 28281	8292	VINYL	GREEN	I 28296
8270, 8276	VINYL	BLACK	N 8296	8292	VINYL	RED	I 28297
8278 and 8280				8292	VINYL	WHITE	I 28298
8270 or 8276	VINYL	BLUE	N 28282	8292	VINYL	YELLOW	I 28299
8270 or 8276	VINYL	GREEN	N 28283	28273	VINYL	BLACK	I 28300
8270 or 8276	VINYL	RED	N 8298	28273	VINYL	BLUE	I 28301
8270 or 8276	VINYL	WHITE	N 28284	28273	VINYL	GREEN	I 28302
8270 or 8276	VINYL	YELLOW	I 28285	28273	VINYL	RED	I 28303
28272	VINYL	BLACK	I 28286	28273	VINYL	WHITE	I 28304
28272	VINYL	RED	N 28287	28273	VINYL	YELLOW	I 28305
8290	VINYL	BLACK	N 28288	8278 or 8280	VINYL	RED	N 28307

CIC 200™ TEST CLIPS

CROCODILE CLIP



LENGTH	JAW OPENING	MATERIAL	CONNECTION	COLOR	AMP	PART
2-1/8	1/2	STEEL	SCREW OR CRIMP	NON-INSULATED	15	L 28272

GENERAL PURPOSE CLIPS



LENGTH	JAW OPENING	MATERIAL	CONNECTION	COLOR	AMP	PART
1-1/2	5/16	STEEL CAD. PLATED	SCREW OR CRIMP	NON-INSULATED	5	L 8290
2	1/2	STEEL CAD. PLATED	SCREW OR CRIMP	NON-INSULATED	10	L 8292
2-7/16	5/8	STEEL CAD. PLATED	SCREW OR CRIMP	NON-INSULATED	20	I 28273
2-7/8	3/4	STEEL CAD. PLATED	SCREW OR CRIMP	NON-INSULATED	25	E 8275
4-1/4	1-1/6	STEEL CAD. PLATED	SCREW OR CRIMP	NON-INSULATED	50	E 8277

CIC 200™ WIRE TIES AND ACCESSORIES

WIRE TIES

Superior design and construction that is QPL listed and UL recognized.

STANDARD — WHITE



WIDTH	LENGTH	MAX. DIA.	PSI	PART	WIDTH	LENGTH	MAX. DIA.	PSI	PART
3/32	4	3/4	18	T 8401	3/16	11-1/8	3	50	R 8409
3/32	5-1/2	1-1/4	18	T 8402	3/16	14-1/8	4	50	R 8410
3/32	8	2	18	T 8403	5/16	8-7/8	2	120	N 8411
9/64	5-1/2	1-1/4	30	T 8404	5/16	14-1/4	4	120	N 8413
5/32	8-1/2	2	40	T 8405	11/32	15	4	175	N 8414
5/32	11-5/8	3	40	T 8406	11/32	24	6	175	I 8415
5/32	14-5/8	4	40	R 8407	11/32	36	9	175	I 8416
3/16	7-1/2	1-3/4	50	T 8408	11/32	42	12	175	I 8417

STANDARD — COLORED TIES



COLOR	TIE WIDTH	LENGTH	MAX. DIA.	PSI	PART
BROWN	1/8	8	2	40	T 8578
BLUE	1/8	8	2	40	T 8579
PURPLE	1/8	8	2	40	T 8580
GRAY	1/8	8	2	40	T 8581
RED	1/8	8	2	40	T 8582

STANDARD — FLUORESCENT COLORS



COLOR	WIDTH	LGTH.	MAX. DIA.	PSI	PART	COLOR	WIDTH	LGTH.	MAX. DIA.	PSI	PART
PINK	1/8	8	2	40	T 8425	ORANGE	1/8	8	2	40	T 8427
PINK	3/16	11	3	40	T 8586	ORANGE	3/16	11	3	40	T 8588
GREEN	1/8	8	2	40	T 8426	YELLOW	1/8	8	2	40	T 8428
GREEN	3/16	11	3	40	T 8589	YELLOW	3/16	11	3	40	T 8587
-	-	-	-	-	-	BLUE	3/16	11	3	40	T 8412

CIC 200™ WIRE TIES AND ACCESSORIES

WIRE TIES

Superior design and construction that is QPL listed and UL recognized.

WEATHER RESISTANT — BLACK

- RESISTANT TO SOLVENTS, FUNGUS, OIL, GREASE, ALKALIES, MILD ACIDS, ULTRA-VIOLET RAYS, ETC.
- MEETS MIL SPECIFICATIONS (3367-2 TO 5-0), TEMPERATURE RANGE 40° TO 185°F.



WIDTH	LENGTH	MAX. DIA.	PSI	PART	WIDTH	LENGTH	MAX. DIA.	PSI	PART
3/32"	4"	5/8"	18	T 8430	3/16"	11-1/8"	3-1/16"	50	R 8439
3/32"	4"	7/8"	18	T 8431	3/16"	14-1/2"	4-1/8"	50	R 8437
3/32"	6"	1-1/2"	18	T 8432	5/16"	15-1/8"	4-1/16"	120	N 8443
3/32"	8"	2-3/16"	18	T 8433	11/32"	25"	7-3/16"	175	I 8445
9/64"	5-3/4"	1-7/16"	40	T 8434	11/32"	36"	11"	175	I 8436
9/64"	8-3/4"	2-3/8"	40	T 8435	17/50"	48"	14-1/2"	175	I 8500
3/16"	7-1/2"	1-7/8"	50	T 8438	—	—	—	—	—

REUSABLE WEATHER RESISTANT — BLACK

- SELF-LOCKING, RELEASABLE, DURABLE, NON-BRITTLE AND NON-CRACKING
- RESISTS CORROSION, MOISTURE, ABRASION, ULTRA-VIOLET RAYS,
- SAVES MONEY, REUSABLE
- TEMPERATURE RANGE: 40°F TO 185°F



TIE WIDTH	LENGTH	MAX. DIA.	PSI	PART
5/16	6	1-3/8	50	R 8452
3/16	14-1/2	4	50	N 8595

REUSABLE (NOT WEATHER RESISTANT) — WHITE

- SELF-LOCKING, RELEASABLE, DURABLE, NON-BRITTLE AND NON-CRACKING
- TEMPERATURE RANGE: 40°F TO 185°F



TIE WIDTH	LENGTH	MAX. DIA.	PSI	PART
5/32	6	1-3/8	50	R 8451
3/16	14-1/2	4	50	R 8598

STAINLESS STEEL SELF-LOCKING TIES

- MORE LOCKING FORCE THAN CONVENTIONAL BALL CLAMPS BECAUSE THE LOCKING BAR CONTACTS BOTH THE TOP AND BOTTOM OF THE BAND AT THE EDGES, THE STRONGEST PART OF THE BUCKLE
- EASY TO USE – SIMPLY INSERT THE TAIL AND TIGHTEN
- MINIMUM LOOP TENSILE STRENGTH: 150 LBS.
- WIDTH: 3/16" (5mm)
THICKNESS: .010" (.245mm)
- CAN BE TIGHTENED BY HAND OR INSTALLED WITH THE HAND TOOL



• TYPE 304 STAINLESS STEEL

LENGTH (INCHES)	MAX. DIA. (INCHES)	PART
8.4	2	T 8084
14.9	4	T 8085
20.9	6	T 8086
27.4	8	T 8087
33.4	10	T 8088

SELF-LOCKING HAND TOOL

- HAND TOOL INSTALLS SELF-LOCKING STAINLESS STEEL TIES
- INCLUDES ADJUSTABLE TENSION AND AUTOMATIC CUT-OFF



DESCRIPTION	PART
Self-Locking Tool	A 28080

CIC 200™ WIRE TIES AND ACCESSORIES (Cont'd.)

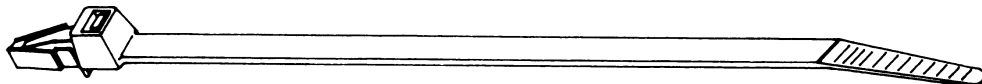
SPECIAL PURPOSE WIRE TIES

STANDARD MOUNTING TYPE — WHITE / BLACK UV



TIE WIDTH	LENGTH	MAX. DIA.	PSI		WHITE PART	BLACK UV PART
3/32	4-1/4	3/4	18	T	8418	
9/64	6-1/4	1-1/4	30	T	8419	R 8440
3/16	7-1/2	1-3/4	50	T	8420	R 8441
3/16	16	4	50	N	8421	
5/16	14	4	120	N	8422	N 8442

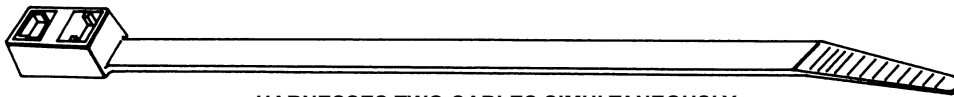
PUSH MOUNT TYPE



PUSH-FITS INTO ANY 1/4" DIAMETER HOLE

TIE WIDTH	LENGTH	MAX. DIA.	PSI		PART
3/16	8-1/2	1-3/4	50	T	8423

DOUBLE LOOP TYPE



HARNESSES TWO CABLES SIMULTANEOUSLY

TIE WIDTH	LENGTH	MAX. DIA.	PSI		PART
3/16	8-1/2	1ST LOOP 3/4 2ND LOOP 3/4	1ST LOOP 50 2ND LOOP 40	R	8424

I.D. WIRE TIES


ONE EASY STEP TO IDENTIFY AND BUNDLE ITEMS
REDUCE SNAGS WHILE PROVIDING SUPPORT TO THE BUNDLE



Features

- Material: Natural Nylon 6/6
- Temp Rating: 185°F / 85°C
- Pad Size: 0.5" x 1.1"

Certification

- ROHS Compliant
-  (CSA Approved)

TIE WIDTH	LENGTH	MAX. DIA.	TENSILE STRENGTH		PART
0.187" / 4.749mm	7.0" / 177.8mm	1.969" / 50 mm	50 lb. / 222n	R	8477

CIC 200™ WIRE TIES AND ACCESSORIES (Cont'd.)

GRIP TIES

For wire, cable and cord. Grip ties are low profile, one piece fastening devices that are constructed of polyethylene hook and nylon loop, laminated back to back. They feature quick release for repetitive access to cable and wire and can be opened and closed numerous times without failure. Versatile enough for applications ranging from network installations to bundling power cords. Will not cause damage to Category 5e and Category 6 cable or fiber optic cable.

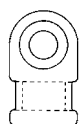


17041

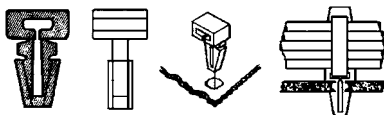
COLOR	TIE WIDTH	LENGTH	MAX. DIA.	MIN. TENSILE STRENGTH	PART
BLACK	1/2"	6"	1"	40 lbs	8034
BLACK	1/2"	8"	1.75"	40 lbs	8035
BLACK	1/2"	11"	2.63"	40 lbs	8036
BLACK	3/4"	15"	3.88"	50 lbs	8037
RED	1/2"	6"	1"	40 lbs	8040
RED	1/2"	8"	1.75"	40 lbs	8041
RED	1/2"	11"	2.63"	40 lbs	8042
RED	3/4"	15"	3.88"	50 lbs	8043
ORANGE	1/2"	6"	1"	40 lbs	8044
ORANGE	1/2"	8"	1.75"	40 lbs	8045
ORANGE	1/2"	11"	2.63"	40 lbs	8046
ORANGE	3/4"	15"	3.88"	50 lbs	8047
YELLOW	1/2"	6"	1"	40 lbs	8048
YELLOW	1/2"	8"	1.75"	40 lbs	8049
YELLOW	1/2"	11"	2.63"	40 lbs	8051
YELLOW	3/4"	15"	3.88"	50 lbs	8052
GREEN	1/2"	6"	1"	40 lbs	8053
GREEN	1/2"	8"	1.75"	40 lbs	8055
GREEN	1/2"	11"	2.63"	40 lbs	8057
GREEN	3/4"	15"	3.88"	50 lbs	8059
BLUE	1/2"	6"	1"	40 lbs	8061
BLUE	1/2"	8"	1.75"	40 lbs	8063
BLUE	1/2"	11"	2.63"	40 lbs	8065
BLUE	3/4"	15"	3.88"	50 lbs	8066

20

MOUNTING HEADS



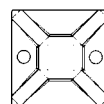
MOUNTING HEAD CONVERTS TIES TO MOUNTING TYPE



PUSH-IN CABLE TIE

DESCRIPTION	FITS TIE WIDTHS	PART
Mounting Head Converts Ties to Mounting Type	3/32 – 3/16	T 8462
Push-In Cable Tie	3/32 – 3/16	N 8464

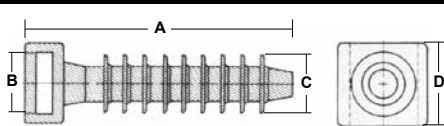
MOUNTING BASES



*with adhesive backing

DESCRIPTION	FITS TIE WIDTHS	SIZE	PART (BLACK)	PART (WHITE)
Cable Tie Mounting	3/32 – 9/64	3/4	R 8081*	N 8456*
Screw Type Base	3/32 – 3/16	1-1/8	–	N 8458
4-Way –	3/32 – 3/16	1-1/8	N 8083*	N 8459*
From All 4 Sides	3/32 – 3/16	1-1/2	L 8093*	N 8466*

MASONRY TIE MOUNTS

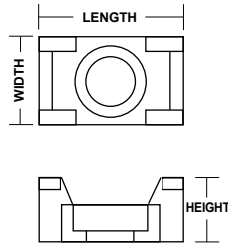


WEATHER RESISTANT FOR INDOOR OR OUTDOOR USE

MOUNTING	MIN. DEPTH	A	B	C	D	PART
.188" Hole	.935"	1.185"	.218"	.236"	.390"	N 8080
.312" Hole	1-1/2"	1.715"	.313"	.362"	.500"	N 8082

CIC 200™ WIRE TIES AND ACCESSORIES (Cont'd.)

CABLE TIE SCREW MOUNTS



- STRONG, DURABLE AND EASY TO INSTALL
- DESIGNED TO PROVIDE STABILITY TO WIRE BUNDLES
- CAN ACCOMMODATE MINIATURE, INTERMEDIATE OR STANDARD CROSS-SECTION CABLE TIES
- EACH MOUNT IS SECURED WITH A SINGLE #10 SCREW

DESCRIPTION	LENGTH INCHES/MM	HEIGHT INCHES/MM	WIDTH INCHES/MM	SLOT SIZE INCHES	PART
SMALL CABLE TIE SCREW MOUNT – NATURAL	.605/15.400	.265/6.700	.380/9.600	.160 x .215	T 28463
SMALL CABLE TIE SCREW MOUNT – BLACK	.605/15.400	.265/6.700	.380/9.600	.160 x .215	T 28465
LARGE CABLE TIE SCREW MOUNT – NATURAL	.875/22.200	.370/9.400	.625/15.900	.345 x .310	R 28467
LARGE CABLE TIE SCREW MOUNT – BLACK	.875/22.200	.370/9.400	.625/15.900	.345 x .310	R 28469

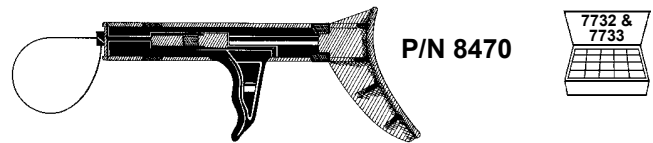
NOTE: See Chromate Wire and Cable Ties (in this section) for use with Cable Tie Screw Mounts.

WIRE TIE MOUNTINGS AND IDENTIFICATION TAGS

TIE WIDTH GAUGE

3/32	9/64	5/32	3/16	5/16	11/32
↓ █ ↑	↓ █ ↑	↓ █ ↑	↓ █ ↑	↓ █ ↑	↓ █ ↑

WIRE TIE TENSIONING TOOL



- LIGHTWEIGHT TOOL FOR SPEEDY & EFFICIENT TENSIONING
- IDEAL FOR ALL WIDTHS THROUGH 3/16"

WIRE MARKERS

0	0	1	1	2	2	3	3	4	4	5	5	6	6	7	7	8	8	9	9
0	0	1	1	2	2	3	3	4	4	5	5	6	6	7	7	8	8	9	9
0	0	1	1	2	2	3	3	4	4	5	5	6	6	7	7	8	8	9	9
0	0	1	1	2	2	3	3	4	4	5	5	6	6	7	7	8	8	9	9
0	0	1	1	2	2	3	3	4	4	5	5	6	6	7	7	8	8	9	9
0	0	1	1	2	2	3	3	4	4	5	5	6	6	7	7	8	8	9	9
0	0	1	1	2	2	3	3	4	4	5	5	6	6	7	7	8	8	9	9



- PREPRINTED BOOKLET OF TYVEK WIRE MARKERS WITH MATCHING TERMINAL MARKERS FOR EASY IDENTIFICATION.
- INCLUDES COMMON STUD SIZE CHART AND TRADE SIZE CONDUCTORS OF CONDUIT OR TUBING.

LEGEND	QUANTITY	PART
0-9	45 each	A 8474

WIRE MARKER ROLL DISPENSER



P/N 8038

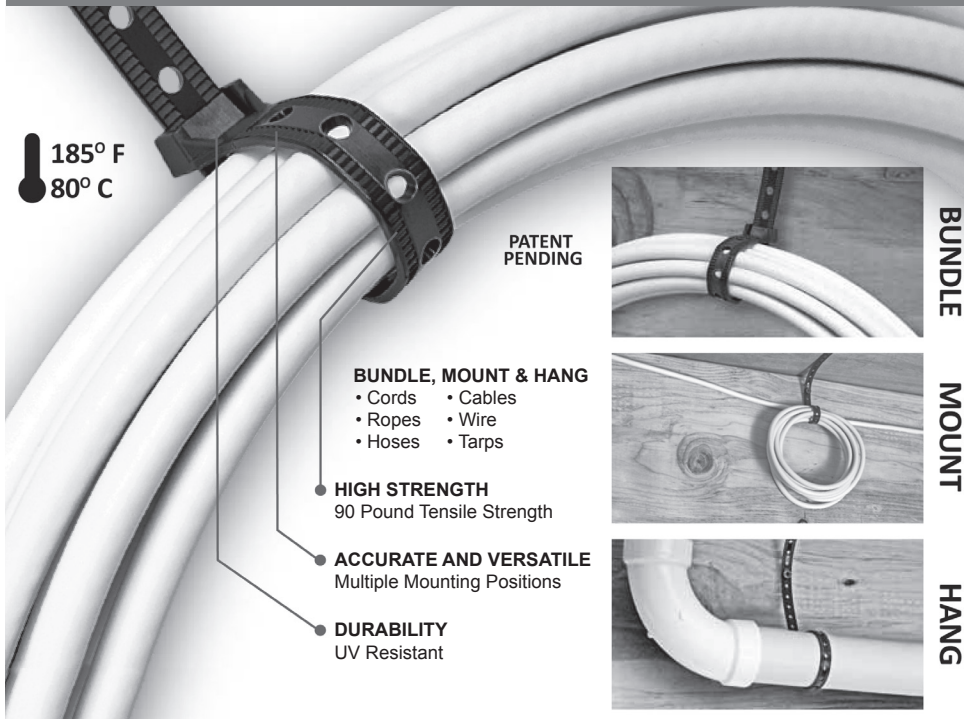
- Compact, convenient refillable marker system
- Pre-cut Tyvek® markers with acrylic adhesive
- 0 - 9 Mini Dispenser
- 76 imprints per number
- Label Size: 0.25" x 1.25"
- 760 imprints total
- ROHS compliant

Tyvek is a trademark of DuPont or its affiliates.

Numeric wire marker roll refill: P/N 8039

WIRE TIES AND ACCESSORIES

MOUNTABLE CABLE TIES BUNDLE, MOUNT AND HANG



P/N 8094 - 8" length
P/N 8095 - 11" length
P/N 8096 - 14" length

BUNDLE, MOUNT & HANG
• Cords • Cables
• Ropes • Wire
• Hoses • Tarps

• **HIGH STRENGTH**
90 Pound Tensile Strength

• **ACCURATE AND VERSATILE**
Multiple Mounting Positions

• **DURABILITY**
UV Resistant

BUNDLE

MOUNT

HANG



SCAN TO SEE VIDEO!
See Mountable Cable Ties in action!
Watch how easily they save you valuable time and money.

TIE WIDTH	LENGTH	MAX. BUNDLE	TENSILE STRENGTH	PART
3/8"	8"	2"	90 lb	8094
3/8"	11"	3"	90 lb	8095
3/8"	14"	4"	90 lb	8096
Tray Assortment – Includes 3 sizes of each Mountable Cable Tie				17663

CABLE TIE CUTTER / WIRE STRIPPER

SAFELY REMOVE CABLE TIES AND LACING & PRECISELY STRIP WIRES

Ensured Protection

- Safety guards slide behind the strap or lacing cord to prevent the sharp blades from contacting the bundled items
- Precision ground stations consistently and accurately strip insulation without nicking the finest conductors

Comfortable and Easy to Use

- Ergonomic, cushion grip handles designed to fit your hand, maximize natural hand contraction motion, and is assisted with an auto return spring

Versatile

- Works excellent with all cable tie strap widths or lacing cords and 10 to 22 solid and stranded gauge wire

Many Uses

- Retrofitting and repairing wire harnesses and hose assemblies
- Removing packaged items
- Prototyping and testing products
- Many other industrial applications

Designed For

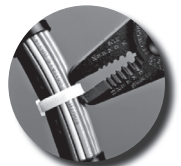
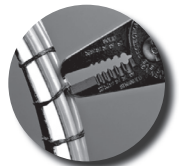
- Maintenance and Repair Technicians
- Assemblers
- Shipping and Receiving Personnel
- Installers
- Electricians
- Retail Stocking Personnel

Heat Treated Alloy Steel

- Provides long life when cutting plastic, copper or aluminum
- Scissor action cutter produces clean cuts



P/N 8488

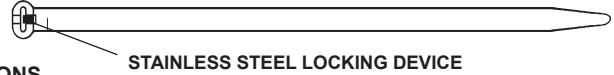


MET-TAB™ WIRE TIES

THE STRONGEST WIRE AND CABLE TYING SYSTEM AVAILABLE

STANDARD — NYLON

- NOTCHLESS DESIGN ELIMINATES STRESS AREAS ASSURING THE STRONGEST POSSIBLE TIE
- STAINLESS STEEL LOCKING DEVICE – ALLOWS INFINITE ADJUSTABILITY FOR OPTIMUM BUNDLE TIGHTNESS AND ULTIMATE STRENGTH
- SMOOTH MOLDED BODY – WON'T CUT INTO INSULATION
- RIBBED AND STIPPLED BACK – WON'T SLIP AROUND BUNDLE
- LOW PROFILE HEAD – WON'T SNAG IN TIGHT CLEARANCE APPLICATIONS



STAINLESS STEEL LOCKING DEVICE

TIE WIDTH	LENGTH	MAX. DIA.	PSI		PART
3/32 (.091)	3-5/8	5/8	18	T	8050
9/64 (.140)	5-1/2	1-1/8	40	T	8054
9/64 (.140)	11-1/16	3	40	T	8056
3/16 (.184)	7-5/16	1-3/4	50	T	8058
3/16 (.184)	14-3/16	4	50	R	8060
17/64 (.270)	13-3/8	3-1/2	120	N	8062

WEATHER RESISTANT — BLACK

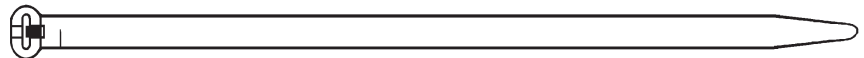
- RECOMMENDED FOR OUTDOOR USE
- SUPERIOR ULTRAVIOLET RESISTANCE AND LONG LIFE



TIE WIDTH	LENGTH	MAX. DIA.	PSI		PART
3/32 (.091)	3-5/8	5/8	18	T	8064
9/64 (.140)	5-1/2	1-1/8	40	T	8068
9/64 (.140)	11-1/16	3	40	T	8070
3/16 (.184)	7-5/16	1-3/4	50	T	8072
3/16 (.184)	14-3/16	4	50	R	8074
17/64 (.270)	8	2	120	N	8075
17/64 (.270)	13-3/8	3-1/2	120	N	8076

HI-TEMPERATURE WIRE TIES

- HEAT-STABILIZED TIES FOR HIGH CONTINUOUS TEMPERATURE USE (221°F / 105°C).



TIE WIDTH	LENGTH	MAX. DIA.	PSI		PART
9/64 (.140)	5-1/2	1.125	30	T	8030
3/16 (.184)	7-5/16	1.75	50	T	8031
3/16 (.184)	14-3/16	4.00	50	T	8032
17/64 (.270)	13-3/16	3.50	120	R	8033

SNAP-TIE WIRE TIE

- JUST ONE SNAP TO TIE AND UNTIE
- FULLY RE-USABLE
- ONCE APPLIED THE TAIL CAN BE TUCKED AWAY FOR ADDED SAFETY
- HIGHLY VISIBLE YELLOW COLOR
- VERSATILE DESIGN ALLOWS USE FOR MULTIPLE APPLICATIONS
- MADE OF DURABLE NYLON 6/6



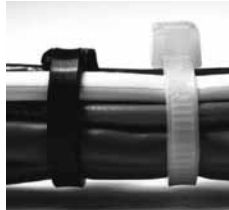
TIE WIDTH	LENGTH	MAX. DIA.	TENSILE STRENGTH		PART
1/2	29-1/2	.75" - 8.25"	200 lbs.	N	8079

CIC 200™ WIRE TIES AND ACCESSORIES (Cont'd.)

COBRA CABLE TIES

- UV Black Nylon
- 7-1/2" Tie is UL Recognized, CSA Approved, and Mil-Spec MS3367-23 Approved; 11" and 14" Tie In Process.
- 7-1/2" and 11" Tie – 50 lb.
- 14" Tie – 120 lb.
- 100 Per Pkg.

P/N 8502 – 7-1/2"
P/N 8503 – 11"
P/N 8504 – 14"



Reduced Head Height compared to standard head designs.

Increased Safety eliminates snags, cuts, and abrasions to cables, hoses, products, and users

No Exposed Sharp Edges since the remaining tail slips back into head of tie.

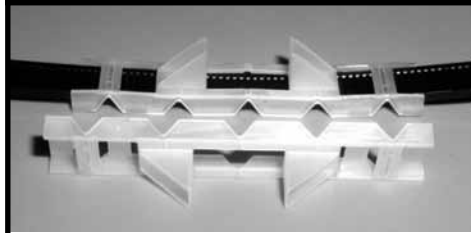
Flexible Grooved Head design provides maximum strength, while allowing the head to easily flex around the total circumference of tubing or bundled wires.

Tamper Proof Pawl located under the tie's head, makes it inaccessible when bundled.

Ideal Applications include wire harnesses, control panels, marine, hoses, playgrounds, construction, and safety equipment.

Designed to work with all tension tools to leave no sharp burrs.

BRIDGE SLEEVES



P/N 8505

Secure Multiple Wires Without Pinching Them

- UV Black Nylon
- For 120 lb. Standard & Low Ties
- 100 Per Pkg.

Safely Secure Wires Without Pinching or Crushing.

The bridge allows wires to safely pass through while allowing the tie to be cinched tightly.

Multiple Sleeves On 1 Cable Tie

allows for multiple wires under a single cable tie, reducing cost, installation time, and location restrictions.

Fiber Optic Cable, Critical Sensor Wiring, Soft Insulated Wires

are just a few examples of wires that cannot withstand the crushing force of a cinched cable tie.

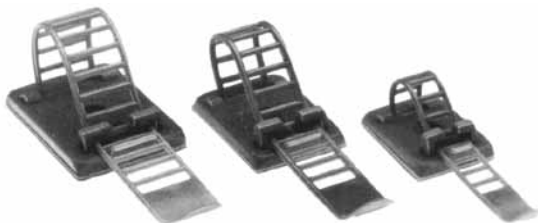


20

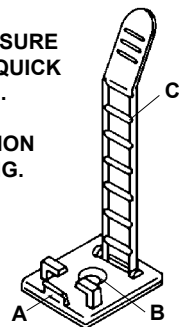
CIC 200™ ADJUSTABLE CABLE CLAMPS

ADJUSTABLE HOLDING POWER FOR A WIDE RANGE OF CABLE DIAMETERS

- SECURES WIRES, CABLES, BUNDLES AND HARNESSES TO VIRTUALLY ANY SURFACE
- PROVIDES HIGH RESISTANCE TO IMPACT, HEAT AND CHEMICALS



- A. EXTREMELY STRONG PRESSURE SENSITIVE ADHESIVE FOR QUICK AND SIMPLE INSTALLATION.
- B. SCREW HOLE OFFERS OPTION FOR PERMANENT MOUNTING.
- C. LADDER STYLE FASTENING SYSTEM ALLOWS FOR INSTANT RELEASING AND PRE-FASTENING.



SIZE	SMALL	MEDIUM	LARGE
CLAMP RANGE	3/16 - 1/2	13/64 - 53/64	9/32 - 63/64
BASE DIMEN.	45/64 x 63/64	53/64 x 1-11/64	63/64 x 1-3/8'
PART	N 8476	N 8478	N 8480

CIC 200™ MOUNTING CLAMPS & BLOCKS

NYLON CABLE CLAMPS

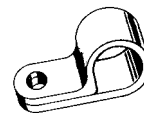
These nylon cable clamps are rustproof, rotproof, weatherproof and chemical proof. Temperature range is -40° to 185°F continuously, 250°F intermittently.

NON-ADJUSTABLE - BLACK



WIDTH	DIA.	PART	WIDTH	DIA.	PART
5/32	1/8	T 2602	3/8	3/8	T 2614
5/32	3/16	T 2604	3/8	7/16	T 2616
1/4	1/4	T 2608	3/8	1/2	T 2618
3/8	1/4	T 2610	1/2	1/2	R 2640
3/8	5/16	T 2612	1/2	5/8	R 2642

NON-ADJUSTABLE - WHITE

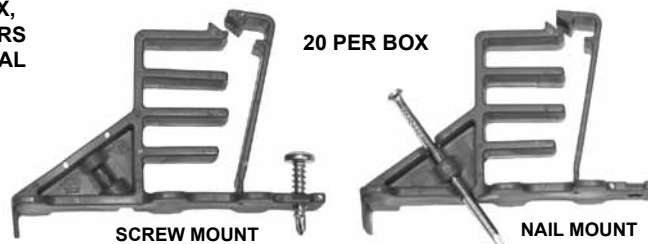


WIDTH	DIA.	PART	WIDTH	DIA.	PART
1/2	1/8	T 2976	1/2	1/2	T 2985
1/2	3/16	T 2977	1/2	5/8	R 2993
1/2	1/4	T 2978	1/2	3/4	R 2994
1/2	5/16	T 2979	1/2	1	R 2996
1/2	3/8	T 2981	1/2	1-1/4	R 2998
1/2	7/16	T 2983	1/2	1-1/2	R 2999

20

MULTIPLE CABLE ORGANIZERS

- QUICKLY SECURES MULTIPLE CABLE RUNS SUCH AS NM/ROMEX, COAXIAL AND CAT 5 AS WELL AS OTHER CABLE WITH DIAMETERS LESS THAN 1/4" (6.3mm) ON A STUD FOR A CLEAN PROFESSIONAL INSTALLATION
- FAST, EASY INSTALLATION WITH ONE NAIL FOR WOOD OR ONE SCREW FOR METAL STUDS
- PATENT PENDING "SNAP LOCK GATE" QUICKLY SECURES ALL CABLES WITHOUT RESTRICTING THEM
- MADE OF FIRE-RETARDANT HIGH DENSITY POLYPROPYLENE
- NATIONAL ELECTRICAL CODE 300-4-(D) COMPLIANT



DESCRIPTION	PART	DESCRIPTION	PART
MULTIPLE CABLE ORGANIZER - SCREW	A 2966	MULTIPLE CABLE ORGANIZER - NAIL	A 2967

CIC 200™ MOUNTING CLAMPS & BLOCKS

VINYL COATED METAL TUBE AND HOSE CLAMPS



- PROVIDES PROTECTION AND ROUTING SUPPORT FOR TUBES, PIPES, WIRE BUNDLES AND CABLES WHERE ABRASION, MOVING PARTS OR HEAT MAY EXIST.
- HEAVY DUTY GALVANIZED STEEL CONSTRUCTION
- ONE OVAL HOLE FOR EASY ALIGNMENT
- 1/32" THICK BLACK VINYL CUSHION
- 3/4" WIDTH AND 13/32" HOLE DIAMETER



DIAMETER	PART	DIAMETER	PART	DIAMETER	PART
1/4	N 30153	5/8	N 30159	1-1/2	L 30173
5/16	N 30154	3/4	N 30161	1-3/4	L 30177
3/8	N 30155	1	L 30165	2	L 30181
1/2	N 30157	1-1/4	L 30169	-	-

EPDM CUSHIONED CABLE CLAMPS

- EPDM covered clamps provide a protective shield to prevent cracking and deterioration against weather.
- Excellent for use where vibration dampening support is needed.
- Softer cushion material provides stronger clamping power (less slippage) than vinyl and nylon clamps.
- Heavy duty galvanized steel
- One round and one slotted hole
- Hole diameter: 0.281" – use 1/4" fastener
- Color: Black
- Temperature range: -50° to 350° F
- Good resistance to oil and chemicals
- EPDM per SAE J200/ASTM D2000



20

SIZE – I.D.	INDUSTRY NO.	MOUNTING HOLE	BAND WIDTH	PART
.250" / 1/4"	4	.281 / 9/32"	.500 / 1/2"	I 30182
.375" / 3/8"	6	.281 / 9/32"	.500 / 1/2"	I 30183
.500" / 1/2"	8	.281 / 9/32"	.500 / 1/2"	I 30184
.625" / 5/8"	10	.281 / 9/32"	.500 / 1/2"	I 30185
.750" / 3/4"	12	.281 / 9/32"	.500 / 1/2"	I 30186
.875" / 7/8"	14	.281 / 9/32"	.500 / 1/2"	I 30187
1.000" / 1"	16	.281 / 9/32"	.500 / 1/2"	I 30188
1.250" / 1-1/4"	20	.281 / 9/32"	.500 / 1/2"	I 30189
1.500" / 1-1/2"	24	.281 / 9/32"	.500 / 1/2"	I 30190
1.750" / 1-3/4"	28	.281 / 9/32"	.500 / 1/2"	I 30191
2.000" / 2"	32	.281 / 9/32"	.500 / 1/2"	I 30192
2.250" / 2-1/4"	36	.281 / 9/32"	.500 / 1/2"	I 30193
2.500" / 2-1/2"	40	.281 / 9/32"	.500 / 1/2"	I 30194
2.750" / 2-3/4"	44	.281 / 9/32"	.500 / 1/2"	I 30195
3.000" / 3"	48	.281 / 9/32"	.500 / 1/2"	I 30196

CIC 200™ WIRE AND CABLE PROTECTORS

SPLIT LOOM WIRE WRAP

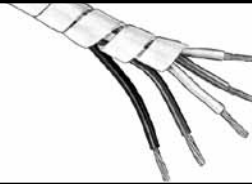
- ALLOWS QUICK AND EASY WIRE PROTECTION
- KEEPS WIRES NEAT AND FREE FROM ABRASION
- MADE FROM HIGH DENSITY POLYETHYLENE FOR DURABILITY
- TEMPERATURE RANGE -40°F TO 176°F



DESCRIPTION	I.D.	PART	DESCRIPTION	I.D.	PART
1/4" SPLIT LOOM WIRE WRAP (100' ROLL)	.272	A 8479	3/4" SPLIT LOOM WIRE WRAP (50' ROLL)	.760	A 8485
3/8" SPLIT LOOM WIRE WRAP (100' ROLL)	.405	A 8481	1" SPLIT LOOM WIRE WRAP (50' ROLL)	.915	A 8487
1/2" SPLIT LOOM WIRE WRAP (100' ROLL)	.505	A 8483			

SPIRAL WIRE WRAP

- ALLOWS FOR FLEXIBLE ROUTING OF WIRE OR CABLE HARNESSSES
- PROVIDES A NEAT PROTECTIVE BUNDLE
- TWISTS ON QUICKLY AND EASILY AND ALLOWS LEAD-OUTS AT ANY POINT



DESCRIPTION	O.D.	WALL THICKNESS	MIN./MAX. BUNDLE RANGE	PART
1/4" SPIRAL WIRE WRAP (100' ROLL)	1/4	.045	3/16 TO 2	A 8482
3/8" SPIRAL WIRE WRAP (100' ROLL)	3/8	.052	5/16 TO 3	A 8484
1/2" SPIRAL WIRE WRAP (100' ROLL)	1/2	.062	3/8 TO 4	A 8486

CIC 200™ WIRE AND CABLE PROTECTORS

TUFF SKIN PROTECTIVE WRAP

Kit – 1" x 6' Roll with Almagamating Tape



P/N 32872

1" x 25' Roll



P/N 32873*



* Chromate fusion repair tape, part numbers 2879, 28988, or 28989, must be used to seal ends of protective wrap.

SIMPLE • EASY TO USE • NO SPECIAL TOOLS NEEDED

SAVE ON COSTLY DOWNTIME!

The primary source of hose/wire failure are cuts and friction caused by movement in abrasive areas. Abrasion Protection Wrap is made from Neoprene, known for its resistance to oil, gasoline, sunlight, ozone and oxidation. It features good flame resistance, weathers well, and is also resistant to flex cracking, alkalis, and acids. Ideal for the protection of hydraulic hoses in many severe conditions.

CABLE AND HOSE COVERAGE

<u>Size</u>	<u>Length</u>	All dimensions are approximate length, due to different manufacturing process of hoses and cables.
1/0 Cable	30"	
2/0 Cable	28"	
3/0 cable	26"	
4/0 Cable	24"	
CAUTION:		
Keep this product in temperatures under 100°F. Temperatures over 100°F will result in the wrap adhering to the liner until the temperature is lowered.		
3/8" Hydraulic Hose	26"	
1/2" Hydraulic Hose	20"	
3/4" Hydraulic Hose	15"	
1" Hydraulic Hose	12"	


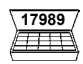
FEATURES AND BENEFITS

- Repairing and Splicing Electrical Cables
- Insulating and Sealing Protection
- Protection for Cable and Hose Cuts
- Weather and Moisture Protection
- Flexible and Tough

USES

- Fleet
- Municipalities
- Railroads
- Construction
- Military
- Machine Shops
- Marinas
- Farming

CIC 200™ WIRE AND CABLE PROTECTORS

COLD SHRINK TUBING					
		<ul style="list-style-type: none"> • PRE-STRETCHED ON A REMOVABLE CORE FOR EFFICIENCY AND EASE OF INSTALLATION • SHRINK TO FIT TO ENSURE A PERMANENT, DURABLE ENVIRONMENTAL SEAL & PROTECTION • NO TORCHES OR HEAT REQUIRED • WATER-RESISTANT – MEETS THE WATER SEAL REQUIREMENTS OF ANSI C119.1 • RESISTS ACIDS AND ALKALIES; RESISTS OZONE 			
		Minimum = Seal Diameter Maximum = Connector Clearance Dimension			
CONDUCTOR SIZE AWG and Kcmil	PRODUCT DIAMETER RANGE (Minimum - Maximum) INCHES (MM)	RELAXED TUBE LENGTH INCHES (MM)	PART		
6 - 4 AWG	0.31" - 0.56" (7,80 - 14,3)	6.0 (152)	A	66080	
10 - 1/0 AWG	0.10" - 0.82" (2,54 - 20,9)	8.0 (203)	A	66081	
2 - 1/0 AWG	0.40" - 0.82" (10,1 - 20,9)	8.0 (203)	A	66082	
2/0 AWG - 250 kcmil	0.55" - 1.18" (13,9 - 30,1)	9.0 (229)	A	66083	
2/0 AWG - 250 kcmil	0.55" - 1.18" (13,9 - 30,1)	11.0 (279)	A	66084	
-	0.67" - 1.38" (16,8 - 35,1)	6.0 (152)	A	66085*	
250 - 400 kcmil	0.67" - 1.38" (16,8 - 35,1)	12.0 (305)	A	66086	
-	0.95" - 1.94" (24,0 - 49,3)	6.0 (152)	A	66087*	
450 - 800 kcmil	0.95" - 1.94" (24,0 - 49,3)	12.0 (305)	A	66088	
-	1.27" - 2.67" (32,2 - 67,8)	6.0 (152)	A	66089*	
900 - 1000 kcmil	1.27" - 2.67" (32,2 - 67,8)	9.0 (229)	A	66090	
900 - 1000 kcmil	1.27" - 2.67" (32,2 - 67,8)	12.0 (305)	A	66091	
900 - 1000 kcmil	1.27" - 2.67" (32,2 - 67,8)	18.0 (457)		66092	

*Primary uses: Sealing of terminal lug barrels, conduit couplings and conduit-to-cable breakouts.

HEAT SHRINK TUBING

A sturdy, heavy wall tubing with excellent insulating, abrasion-resistance, and strain-relieving properties. The thermo-plastic adhesive provides superior environmental protection.

HEAVY DUTY/DIRECT BURY HEAT SHRINK TUBING

- Shrink Ratio: 3 to 1
- Flame Retardant
- For Battery Splices and Terminals
- DIRECT BURIAL Capability
- Use in UNDERWATER ENVIRONMENTS
- For Connections in the Harshest Conditions
- Mil Specs: MIL-DTL-23053/15, Class 2
- UL 486D
- Material: Polyolefin
- Recover Temp.: 121°C (250°F)
- Continuous Oper. Temp.: -55°C to 110°C (-67°F to 230°F)



17032

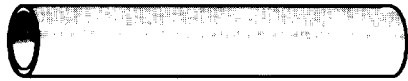
PRE-SHRINK I.D.	REC. I.D.	LENGTH	COLOR	PART	
0.300"	0.100"	12"	Black	D	66095
0.300"	0.100"	12"	Red	D	66096
0.400"	0.150"	12"	Black	D	66097
0.400"	0.150"	12"	Red	D	66098
0.800"	0.200"	12"	Black	D	66099
0.800"	0.200"	12"	Red	D	66100
1.100"	0.370"	12"	Black	D	66101
1.100"	0.370"	12"	Red	D	66102
1.500"	0.500"	12"	Black	D	66103
2.000"	0.650"	12"	Black	D	66104
3.000"	1.000"	12"	Black	D	66105
4.500"	1.500"	12"	Black	D	66106
6.000"	1.800"	12"	Black	D	66107
7.000"	2.000"	12"	Black	D	66108

CIC 200™ WIRE AND CABLE PROTECTORS

HEAT SHRINK TUBING

Waterproofs, insulates and protects against oxidation and corrosion in electrical splices, connections and terminations. For all automotive, trucking, utilities, industrial and marine applications.

"SUR-SEAL" HEAT SHRINK TUBING



3 TO 1 SHRINK RATIO

- HEAVY-DUTY DOUBLE WALL
- MELTABLE INNER WALL SEALANT KEEPS OUT MOISTURE AND AIR
- CLEAR, SEE-THRU TUBING, MAKES INSPECTION EASY
- SPLIT-RESISTANT
- DIELECTRIC STRENGTH 15,000 VOLTS
- TEMP. RANGE 67°F to 347°F
- SELF-EXTINGUISHING

WIRE RANGE	SIZE I.D.	POST-SHRINK I.D.	LENGTH	PART
18-12	1/4	5/64	6"	2873
14-8	3/8	9/64	6"	2874
8-2	1/2	13/64	6"	2875

THICK WALL HEAT SHRINK TUBING

3 TO 1 SHRINK RATIO

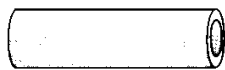


- THICK WALL FOR ABRASION PROTECTION AND PUNCTURE RESISTANCE
- SEALANT LOCKS OUT CORROSION CAUSING ELEMENTS
- MADE OF A TOUGH CROSSLINKED POLYOLEFIN
- TEMPERATURE REQUIRED TO SHRINK: 115°C/239°F
- CONTINUOUS OPERATING TEMPERATURE: 90°C/194°F
- DIELECTRIC STRENGTH 600 VOLTS

WIRE RANGE	SIZE I.D.	POST-SHRINK I.D.	LTH.	COLOR	PART
14-4	1/2	5/32	6"	RED	32168
14-4	1/2	5/32	6"	BLK	32170
6-1	3/4	1/4	6"	RED	32172
6-1	3/4	1/4	6"	BLK	32174
2-4/0	1-3/32	13/32	6"	BLK	32178
2-4/0	1-3/32	13/32	6"	RED	32180

20

INDUSTRIAL GRADE HEAT SHRINK TUBING



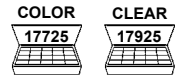
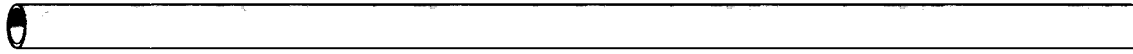
2 TO 1 SHRINK RATIO

- PROTECTS AGAINST ROAD SALT, OILS, GASOLINE, DUST, DIRT, ABRASIVE PARTICLES, SOLVENTS, CHEMICALS AND MOISTURE
- COLOR CODED
- DIELECTRIC STRENGTH 6300 VOLTS.
- TEMPERATURE RANGE -10°F to 220°F
- MEETS MIL-1-23053/2

WIRE RANGE	SIZE I.D.	POST-SHRINK I.D.	LGTH	COLOR	PART	WIRE RANGE	SIZE I.D.	POST-SHRINK I.D.	LGTH	COLOR	PART
22-20	1/16	1/32	10"	BLK	L 6076	4	3/8	3/16	10"	WHT	L 6082
18-16	3/32	3/64	10"	WHT	L 6077	2	1/2	1/4	10"	BLK	L 6083
14	1/8	1/16	10"	BLK	L 6078	1-2/0	3/4	3/8	10"	WHT	L 6084
12-10	3/16	3/32	10"	WHT	L 6079	3/0-4/0	1	1/2	10"	BLK	L 6085
8	1/4	1/8	10"	BLK	L 6080	-	1-1/2	3/4	10"	WHT	E 6086
6	5/16	5/32	10"	BLK	L 6081	-	2	1	10"	BLK	E 6087

CIC 200™ WIRE AND CABLE PROTECTORS

"SUR-SEAL" HEAT SHRINK TUBING



- DUAL WALL FLEXIBLE POLYOLEFIN TUBING WITH THICK WALL ADHESIVE
- COLOR-KEYED FOR EASY IDENTIFICATION OF WIRE SIZE OR CLEAR FOR EASY VIEWING OF FINISHED PRODUCT
- FLEXIBLE POLYOLEFIN HEAT-SHRINKABLE TUBING WITH A THICK INNER WALL OF MODIFIED POLYAMIDE ADHESIVE WHICH MELTS AND FLOWS, ENCAPSULATING AND SEALING COMPONENTS CONTAINED WITHIN
- SHRINK TEMPERATURE IS 239°F (115°C)
- OPERATING TEMPERATURE RANGE IS -67°F (-55°C) TO +230°F (+110°C)
- RECOMMENDED IN APPLICATIONS REQUIRING MOISTURE PROTECTION OR WATERPROOFING
- COMES IN 12" LENGTHS

PHYSICAL UNITS	TEST METHOD	REQUIREMENT
PHYSICAL:		
Tensile strength (psi)	ASTM-D-638	1500 min.
Elongation (%)	ASTM-D-638	200 min.
Cold Impact (-55°C)	ASTM-D-746	No cracking
Heat Shock (250°C 4 Hrs.)	MIL-I-23053	No cracking
Secani Modulus (psi)	MIL-I-23053	+5, -15
ELECTRICAL:		
Dielectric Strength (volts/mil)	ASTM-D-876	500 min.
Volume Resistivity (ohm-cm)	ASTM-D-876	1.0 x 10 ¹⁵ min.
CHEMICAL:		
Corrosion (121°C, 16 Hrs.)	MIL-I-23053	No corrosion
Water Absorption (%)	ASTM-D-570	0.5 max.
Fluid Resistance (23°C, 24 Hrs.)		
Tensile Strength (psi)	MIL-I-23053	900 min.
Flammability		N/A
Shrink Temperature, Nominal		115°C

"SUR-SEAL" - COLOR

SIZE I.D.	COLOR	WIRE SIZE	POST SHRINK I.D.	LENGTH	PART
1/8	BROWN	#24-#22	1/32	12"	L 6090
3/16	GREY	#20-#18	1/16	12"	L 6091
1/4	WHITE	#16-#14	5/64	12"	I 6092
3/8	RED	#12-#10	1/8	12"	I 6093
1/2	BLUE	#8-#4 (2 or 3 #18-#16)	5/32	12"	I 6094
3/4	YELLOW	1, 1/0, 2/0 (2 or 3 #14-#12)	5/16	12"	I 6095
1	BLACK	3/0, 4/0 (2 or 3 #10)	13/32	12"	F 6096

"SUR-SEAL" - CLEAR

SIZE I.D.	WIRE SIZE	POST SHRINK I.D.	PART	SIZE I.D.	WIRE SIZE	POST SHRINK I.D.	PART
1/8	#24-#22	1/32	L 26090	1/2	#8-#4 (2 or 3 #18-#16)	5/32	I 26094
3/16	#20-#18	1/16	L 26091	3/4	1, 1/0, 2/0 (2 or 3 #14-#12)	1/4	I 26095
1/4	#16-#14	5/64	I 26092	1	3/0, 4/0 (2 or 3 #10)	5/16	F 26096
3/8	#12-#10	1/8	I 26093	-	-	-	-

SIX-2-ONE™ NON-ADHESIVE SHRINK TUBING

BLACK - NON-ADHESIVE LINED

- SHRINKS TO FIT EXPANSION RATIOS OF 6 TO 1
- DIELECTRIC STRENGTH OF 500 VOLTS/MIL
- COVERS WIRE FROM #14 AWG THROUGH 1000 MCM CABLE
- TOUGH AND DURABLE, PROVIDING EXCELLENT INSULATING AND ABRASION PROTECTION
- DURABLE SEMI-RIGID BLACK MATERIAL EASILY CONFORMS TO IRREGULAR SURFACE CONFIGURATIONS WHEN SHRUNK
- IDEAL FOR REPLACING TORN CABLE JACKETS AND INSULATING CONNECTORS
- EASILY FITS OVER AND SEALS LARGE CONNECTIONS ALREADY MADE WITHOUT COMPLETE DISASSEMBLY
- FLAME RETARDANT MATERIAL MEETS MIL-I-23053/15A SPECS



SIZE	POST SHRINK I.D.	PART
.75 x 12"	.125"	A 66069
1.30 x 12"	.222"	A 66070
1.75 x 12"	.293"	A 66072
2.75 x 12"	.460"	A 66074

SIX-2-ONE™ ADHESIVE-LINED SHRINK TUBING

BLACK - ADHESIVE LINED

- BLACK WITH A THERMOPLASTIC ADHESIVE LINING PROVIDING A TIGHT GAS, WATER AND ENVIRONMENTAL SEAL
- SHRINKS TO FIT EXPANSION RATIOS OF 6 TO 1
- DIELECTRIC STRENGTH OF 500 VOLTS/MIL
- COVERS WIRE FROM #14 AWG THRU 1000 MCM CABLE
- TOUGH AND DURABLE, PROVIDING EXCELLENT INSULATING AND ABRASION PROTECTION
- DURABLE SEMI-RIGID BLACK MATERIAL EASILY CONFORMS TO IRREGULAR SURFACE CONFIGURATIONS WHEN SHRUNK
- IDEAL FOR REPLACING TORN CABLE JACKETS AND INSULATING CONNECTORS
- EASILY FITS OVER AND SEALS LARGE CONNECTIONS ALREADY MADE WITHOUT COMPLETE DISASSEMBLY
- FLAME RETARDANT MATERIAL MEETS MIL-I-23053/15A SPECS



SIZE	POST SHRINK I.D.	PART
.75 x 12"	.125"	B 6067
1.30 x 12"	.222"	B 6071
1.75 x 12"	.293"	B 6073
2.75 x 12"	.460"	A 6075

WIRE AND CABLE PROTECTORS

LECTRO-SEAL INSULATION

Protects and insulates any electrical connection against exposure to the elements.

LECTRO-SEAL "350"

FEATURES:

- PRESSURE SENSITIVE
- NON-FILM FORMING
- 100% SOLID INSULATION
- TEMPERATURE RANGE: -20° TO 200°F
- WATER PERMEABILITY: 0% ON 1/8" MEMBRANE, MIL-S-19653A
- NON-OXIDIZING
- PERMANENTLY FLEXIBLE

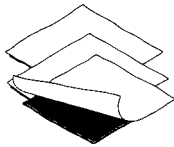


RESISTS:

- WATER
- SOIL
- SALTWATER
- WATER VAPOR
- WEATHER
- CARBON TETRACHLORIDE
- NAPHTHA
- MINERAL SPIRITS
- KETONE
- GASOLINE

DESCRIPTION	SIZE	PART
ROLL (10 FEET)	1/8" — 3-3/4" x 10'	A 2893

LECTRO-SEAL "600"



- **HEAVY POLYVINYL CHLORIDE (PVC) BACKING**
PROVIDES EXCELLENT RESISTANCE TO ABRASION, MOISTURE, ALKALIES, ACID COPPER CORROSION AND UV LIGHT
- **SELF-FUSING, RUBBER BASED INSULATING COMPOUND**
SEALS, WATERPROOFS AND INSULATES CONNECTIONS UP TO 600 VOLTS
- **REMAINS FLEXIBLE OVER WIDE RANGE OF TEMPERATURES**
FOR EASY INSTALLATION FROM 0°F TO 100°F
- **USABLE FOR INDOOR AND OUTDOOR APPLICATIONS**



THICKNESS (ASTM D-1000)
 VINYL.....7.0 MILS MASTIC.. 38.0 MILS
 DIELECTRIC STRENGTH
 (ASTM D-1000) 13,500 VOLTS/MIL
 ELONGATION (ASTM D-1000)200%
 BREAKING STRENGTH
 (ASTM D-1000) 20 LBS./IN. WIDTH
 INSULATION RESISTANCE
 (ASTM D-257-61).....>1,000,000 MEGOHMS

DESCRIPTION	SIZE	PART	DESCRIPTION	SIZE	PART
PADS (20 PCS.)	1/8" — 2-1/2" x 2-1/2"	I 2892	ROLL (10 FEET)	2-1/2" x 10'	A 2898

20

WIRE AND CABLE PROTECTORS

ELECTRICAL TAPES

SCOTCH® PROFESSIONAL GRADE COLOR CODING VINYL ELECTRICAL TAPE 35



- Scotch® Vinyl Electrical Tape 35 is a polyvinyl chloride (PVC) color-coding tape
- Available in Nine Fade Resistant Colors
- All tapes are 3/4" x 66'
- Outstanding electrical and mechanical properties make this tape excellent for use in phase identification, and color coding of motor leads and piping systems.
- Insulate splices up to 600V
- 7 mil (0.178 mm)
- Abrasion and weather-resistant
 - Operates over a wide range of temperatures, up to 221°F (105°C)
 - Applies smoothly and conforms well above 32°F (0°C)
- Resists UV rays, abrasion, corrosion, alkalis and acids
- Flame retardant
- UL Listed and CSA certified
- Also useful for marking safety areas



SIZE & COLOR	PART	SIZE & COLOR	PART	SIZE & COLOR	PART
3/4" x 66' BLUE	E 28750	3/4" x 66' GREEN	E 28753	3/4" x 66' VIOLET	E 28756
3/4" x 66' BROWN	E 28751	3/4" x 66' ORANGE	E 28754	3/4" x 66' WHITE	E 28757
3/4" x 66' GRAY	E 28752	3/4" x 66' RED	E 28755	3/4" x 66' YELLOW	E 28758

GENERAL PURPOSE COLOR-CODED VINYL ELECTRICAL TAPE



- IDEAL FOR COLOR-CODING ALL WIRING & CONNECTIONS
- EXCELLENT ELONGATION, FLEXIBILITY AND STRENGTH
- ASSORTMENT PACK (#2189) INCLUDES EIGHT (8) COLORS: BLUE, BROWN, GRAY, GREEN, ORANGE, RED, WHITE AND YELLOW (NOT BLACK)

- U.L. LISTED
- 7 MIL THICK
- 150% ELONGATION
- EXCELLENT CREEPBACK



SIZE & COLOR	PART	SIZE & COLOR	PART	SIZE & COLOR	PART
3/4" x 60' BLUE	E 2190	3/4" x 60' GREEN	E 2193	3/4" x 60' WHITE	E 2197
3/4" x 60' BROWN	E 2191	3/4" x 60' ORANGE	E 2194	3/4" x 60' YELLOW	E 2198
3/4" x 60' GRAY	E 2192	3/4" x 60' RED	E 2195	3/4" x 60' BLACK	i 2199
-	-	-	-	ASSORTMENT PACK	A 2189

ALL-WEATHER VINYL

- FLAME RETARDANT
- COLD & WEATHER RESISTANT
- SUPERIOR ADHESION
- CONFORMS TO GOV'T SPECS MIL-I-24391A & HH-I-595C
- U.L. LISTED, BLACK VINYL
- TEMP. RANGE: -4°F TO +221°F (-20°C TO +105°C)
- THICKNESS: 8.5 MIL
- TENSILE STRENGTH: 25 LBS. / INCH
- ELONGATION: 200%



SIZE	PART
3/4" x 66'	i 2880

3M BRAND ELEC. TAPES

- FLAME RETARDANT
- HOT AND COLD WEATHER RESISTANT
- RESISTS UV RAYS, ABRASION, MOISTURE, ALKALIES, ACIDS AND CORROSION
- "33+" MEETS REQUIREMENTS OF ASTM D-3005 TYPE I, UL 510, HH-I-595C AND CSA C22.2
- "SUPER 88" MEETS REQUIREMENTS OF ASTM D-3005 TYPE II, UL 510, MIL-I-24391 & CSA 22.2
- TEMP. RANGE: -18°C/0°F TO 105°C/220°F
- 33+ MIL THICKNESS - 7; SUPER 88 MIL THICKNESS - 8.5



SIZE	PART
33+ Elec. Tape 3/4" x 66'	i 32199
Super 88 Elec. Tape 3/4" x 66'	i 32880

ELECTRICIAN'S DUCT TAPE

- ELECTRICIAN'S UTILITY TAPE FOR HOLDING AND BUNDLING APPLICATIONS
- WATER RESISTANT
- 6 MIL THICKNESS (.006")
- IDEAL FOR MOST ELECTRICAL APPLICATIONS
- TEARS EASILY AND EVENLY BY HAND
- COMES OFF CLEAN AND LEAVES NO STICKY RESIDUE
- TEMPERATURE STABLE - WILL NOT MELT IN HOT WEATHER OR FAIL TO STICK IN COLD



SIZE	PART
2" x 150'	A 32885

WIRE AND CABLE PROTECTORS

HIGH-VOLTAGE LINERLESS RUBBER SPLICING TAPE

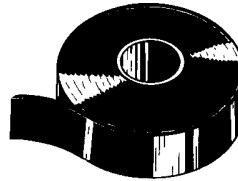
Highly conformable, linerless ethylene propylene rubber (EPR), high-voltage insulating tape provides excellent thermal dissipation of splice heat. Designed for splicing and terminating wires and cables. Meets industry specifications for flame retardance.

APPLICATIONS:

- PRIMARY INSULATION FOR SPLICING ALL TYPES OF SOLID DIELECTRIC INSULATED CABLES THROUGH 69 KV
- PRIMARY INSULATION FOR BUILDING STRESS CONES ON ALL TYPES OF SOLID DIELECTRIC INSULATED CABLES UP TO 35 KV
- JACKETING (SECONDARY INSULATION) ON HIGH-VOLTAGE SPLICES AND TERMINATIONS & JACKET REPAIRS
- MOISTURE-SEALING ELECTRICAL CONNECTIONS
- BUS BAR INSULATION
- END-SEALING HIGH-VOLTAGE CABLES
- MOTOR LEADS

FEATURES:

- LINERLESS, SELF-BONDING PRIMAR INSULATING TAPE RATED THROUGH 69 KV
- HIGH THERMAL CONDUCTIVITY
- FLAME RETARDANT
- EXCELLENT PHYSICAL AND ELECTRICAL PROPERTIES WHICH ARE UNAFFECTED BY DEGREE OF STRETCH
- COMPATIBLE WITH COMMON SOLID DIELECTRIC CABLE INSULATION
- UNIFORM TAPE UNWIND FROM ROLL
- WEATHER RESISTANT



30 FOOT ROLL

SPECIFICATIONS:

- COLOR: BLACK
- THICKNESS: 30 MILS (0.762mm)
ASTM D-4325
- TENSILE STRENGTH: 250 PSI (1.72 MPa)
ASTM D-4325
- ULTIMATE ELONGATION: 1000%
ASTM D-4325
- OPERATING TEMP.: 90°C (194°F)
ASTM D-4388
- EMERGENCY OVERLOAD: 130°C (266°F)
ASTM D-4388
- THERMAL RESISTIVITY: 300°C (572°F)
- DIELECTRIC STRENGTH: 750V/mil
ASTM D-4325
- INSULATION RESISTANCE: >10⁸M ohms

SIZE	PART
3/4" x 30 FEET	A 2889

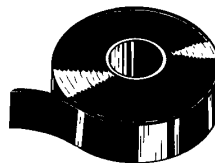
GENERAL PURPOSE LINERLESS RUBBER SPLICING TAPE

APPLICATIONS:

- PRIMARY INSULATION FOR CABLE SPLICES AND TERMINATIONS
- MOISTURE SEALING AND INSULATING ELECTRICAL CONNECTIONS AND CABLE ENDS
- BUS BAR INSULATION
- MOTOR LEADS
- WIRE AND CABLE JACKET REPAIRS

FEATURES:

- WEATHER RESISTANT
- FLAME RETARDANT
- PHYSICAL AND ELECTRICAL PROPERTIES UNAFFECTED BY DEGREE OF STRETCH
- NO LOSS OF ELECTRICAL CHARACTERISTICS
- LINERLESS SELF-BONDING PRIMARY INSULATING TAPE



15 FOOT ROLL

SPECIFICATIONS:

- COLOR: BLACK
- THICKNESS: 30 MILS (0.762mm)
ASTM D-4325
- TENSILE STRENGTH: 250 PSI (1.72 MPa)
ASTM D-4325
- ULTIMATE ELONGATION: 1000%
ASTM D-4325
- OPERATING TEMP.: 90°C (194°F)
ASTM D-4388
- EMERGENCY OVERLOAD: 130°C (266°F)
ASTM D-4388
- THERMAL RESISTIVITY: 300°C (572°F)
- DIELECTRIC STRENGTH: 750V/mil
ASTM D-4325

SIZE	PART
3/4" x 15 FEET	A 2891

WIRE AND CABLE PROTECTORS

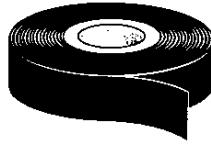
FUSION SEAL™ ELECTRICAL WRAP

APPLICATIONS:

- ELECTRICAL INSULATION, SPLICES AND CABLE HARNESSSES
- ECONOMICAL SUBSTITUTE FOR HEAT SHRINK TUBING AND HOT AIR DUCTING

FEATURES:

- WEATHER AND SALTWATER RESISTANT
- FORM FITTING
- ELECTRICAL INSULATOR



36 FOOT ROLL

SPECIFICATIONS:

- MATERIAL: HIGH-GRADE SILICONE
- TEMPERATURE RANGE: -54°C to +260°C (-60°F to +500°F)
- DIELECTRIC STRENGTH, MIN.: 0.030" 400 VPM
- DIELECTRIC CONSTANT, 1 KHZ: 2.95
- VOLUME RESISTIVITY: 3x10¹⁴ OHM/CM
- WATER ABSORPTION: 3% MAX. BY WEIGHT
- TENSILE STRENGTH: 700 PSI MIN.
- ELONGATION: 300% MIN.
- MILITARY SPECIFICATION: MIL 1-46852C TYPE II

SIZE	PART	SIZE	PART
1" x 30 MIL x 36 FEET (RED)	A 2899	2" x 30 MIL x 36 FEET (RED)	A 28994
1" x 30 MIL x 36 FEET (GRAY)	A 28992	2" x 30 MIL x 36 FEET (BLACK)	A 28995
1" x 30 MIL x 36 FEET (BLACK)	A 28991	2" x 30 MIL x 36 FEET (GRAY)	A 28996
1" x 30 MIL x 36 FEET (CLEAR)	A 28993	2" x 30 MIL x 36 FEET (CLEAR)	A 28997
1" x 30 MIL x 36 FEET (WHITE)	A 28990	2" x 30 MIL x 36 FEET (WHITE)	A 28998

20

ULTRA WRAP FUSION REPAIR TAPE

- CHEMICALLY FUSES TO FORM A WATER-TIGHT BOND
- NO HEAT OR FLAME REQUIRED
- RESISTANT TO WATER IMMERSION, OZONE, DILUTE CORROSIVES AND MOST CHEMICALS
- IDEAL FOR INSULATING, SEALING & PROTECTING
- WILL NOT TRANSFER ADHESIVE – LEAVES UNDERLYING SURFACE TACK FREE

10" ROLL



APPLICATIONS:

- HIGH VOLTAGE CABLE, TRUCK/AUTO BATTERY CABLE, TELEPHONE CABLE AND A VARIETY OF SEALING AND PROTECTION USES IN NON-ELECTRICAL APPLICATIONS

SPECIFICATIONS:

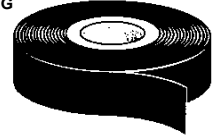
- MATERIAL: Ethylene propylene rubber
- THICKNESS: 0.50mm (0.020 inches)
- TENSILE STRENGTH: 450 psi
- ELONGATION AT BREAK: 800%
- OZONE RESISTANCE: PASS
- DIELECTRIC STRENGTH: 500 Vpm
- TEMPERATURE RANGE: -40°C to 90°C Continuous. Up to 130°C for limited periods during overload conditions
- ASTM D1373-70

SIZE	PART
1" x 10 FEET (BLACK)	A 2879

REINFORCED FUSION SEAL™ WRAP

- SAME AS FUSION SEAL™ ELECTRICAL WRAP EXCEPT IT IS REINFORCED WITH HIGH TENSILE FIBERS ALLOWING IT TO HOLD BETTER AGAINST HIGHER PRESSURES AND TEMPERATURES
- NO HEAT OR FLAME REQUIRED – SIMPLY OVERLAP 50% AND THIS WRAP SELF-FUSES FOR A STRONG, FAST AND FLEXIBLE REPAIR
- WATER AND CHEMICAL RESISTANT INCLUDING OILS, ANTI-FREEZE, MILD CAUSTICS, DETERGENTS, FERTILIZER, HERBICIDES, PESTICIDES AND MORE
- IDEAL FOR INSULATING, SEALING AND PROTECTING
- STRONG, FAST, FLEXIBLE AND PORTABLE
- WITHSTANDS HIGH TEMPERATURES

10" ROLL



SPECIFICATIONS:

- MATERIAL: Fabric reinforced silicone rubber
- THICKNESS: .020 +/- .020
- WIDTH: 1" +/- .032
- TEMPERATURE RANGE: -65°F to 500°F
- STRETCH CAPABILITIES: 25%
- DIELECTRIC STRENGTH: 500 volts per mil MIL-I-22444C

APPLICATIONS:

- USE ON PIPE, HOSE & POTABLE WATER LINES

SIZE	PART
1" x 10 FEET (RED)	A 28988
1" x 10 FEET (BLACK)	A 28989

BATTERIES

DURACELL® PROCELL® ALKALINE

- MERCURY FREE
- LONG LASTING AND DEPENDABLE – EVEN AFTER FIVE YEARS OF STORAGE
- LASTS UP TO FIVE TIMES LONGER THAN SUPER HEAVY DUTY BATTERIES
- LONG SERVICE LIFE AT HIGH DRAIN DISCHARGES
- OPERATES RELIABLY IN TEMPERATURE EXTREMES OF -20°C to 54°C
- DATE CODED TO ENSURE FRESHNESS



SIZE	APPLICATION	LOAD (OHMS)	DUTY CYCLE	CUTOFF VOLTAGE	SERVICE HOURS	PART
9V	Electronic Radio	270	1 hour/day	5.4	19.5	F 29200
		620	2 hours/day	5.4	45.1	
D	Portable Light	2.2	4 min/hr, 8 hr/day	0.9	24.9	J 29201
	Electronic	2.2	1 hour/day	0.8	26.9	
	Tape Recorder	3.9	1 hour/day	0.9	44.5	
C	Portable Light	3.9	4 min/hr, 8 hr/day	0.9	21.0	J 29202
	Electronic	3.9	1 hour/day	0.8	22.6	
	Tape Recorder	6.8	1 hour/day	0.9	37.1	
AA	Pulse Test	1.8	1 sec/min, 24 hr/day	0.9	580*	G 29203
	Tape Recorder	10	1 hour/day	0.9	18.8	
	Radio	43	4 hours/day	0.9	89.5	
AAA	Pulse Test	3.6	1 sec/min, 24 hrs	0.9	648*	G 29204
	Portable Light	5.1	4 min/hr, 8 hr/day	0.9	3.95	
	Radio	75	4 hours/day	0.9	71.0	

*Pulses

LR44 1.5 VOLT BUTTON ALKALINE BATTERIES

- FOR THE EXTENDABLE MAGNETIC FLASHLIGHT, P/N 66349
- FOR LIGHTED PICK-UP TOOLS, P/N 66324
- EXTRA LONG LIFE BATTERIES
- 4 PACK

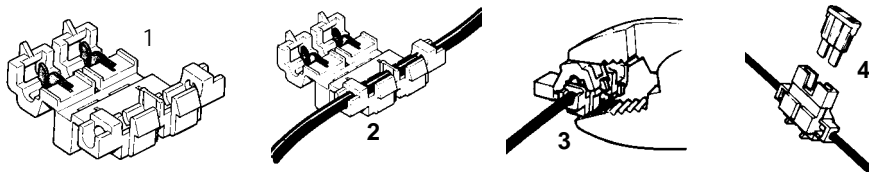


SIZE	PART
LR44 1.5 V BUTTON ALKALINE BATTERIES	D 29206

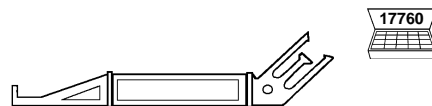
CIC 200™ FUSEHOLDERS

IN-LINE TAP (FLAT BLADE TYPE)

Quick and easy to use in-line fuseholder for General Motors blade type fuses.



FUSE PULLER



WIRE SIZE	COLOR	AMPS	PART
18-14	BLUE	20 MAX.	2032

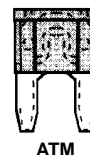
DESCRIPTION	PART
FUSE PULLER	F 2969

BLADE TYPE

5" LEAD WIRE ON EACH END

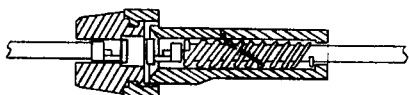


4" LEAD WIRE ON EACH END



FUSE TYPE	WIRE SIZE	COLOR	AMPS	PART
ATC	#14	BLACK	3-20	I 2910
ATC	#12	YELLOW	3-30	I 2909
ATM (MINI W/COVER)	#12	BLACK	2-30	I 2913
MAXI W/COVER	#6	BLACK	20-60	A 2921

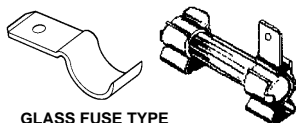
GLASS TYPE



• HEAVY 12 GAUGE WIRE FOR ALL AGC FUSES TO 30 AMPS AND SFE-20.
*CUT WIRE LOOP TO FORM SEPARATE LEADS OF DESIRED LENGTH.

WIRE SIZE	COLOR	FUSE SIZE	PART
#12 x 12" LOOP*	BLACK	1/4" x 1-1/4"	I 2912
#14 x 12" LOOP*	BLACK	UNIVERSAL	E 2922

MALE FUSE CLIP ADAPTER



GLASS FUSE TYPE



BLADE FUSE TYPE

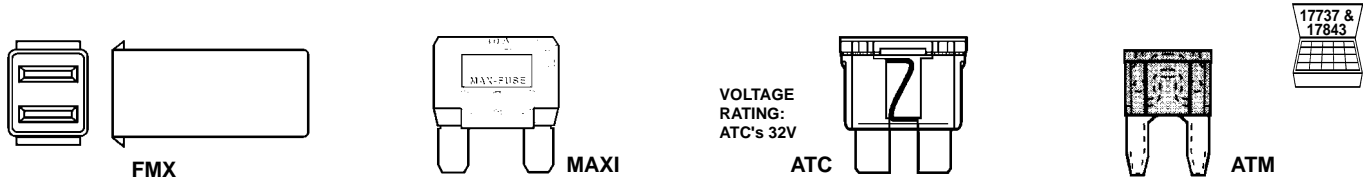


TYPE	LENGTH	THICKNESS	PART
Glass Fuse	25/32	.030	T 2800
Blade Fuse	1-1/8	.030	T 2802
Mini Blade Fuse	5/8	.030	T 2804

BLADE FUSES

FLAT BLADE

Quality fuses provide safety and reliability by preventing short-circuits and overloads that can cause fires and property damage.



FMX FEMALE MAXI		MAXI TYPE		ATC TYPE		ATM TYPE	
AMPS	PART	AMPS	PART	AMPS	PART	AMPS	PART
20	E 29062	20	I 29050	–	–	2	o 6290
30	E 29063	30	I 29051	3	o 2900	3	o 6291
40	E 29064	40	I 29052	4	o 2901	4	o 6292
50	E 29065	50	I 29053	5	o 2902	5	o 6293
60	E 29066	60	I 29054	7-1/2	o 2903	7-1/2	o 6294
–	–	–	–	10	o 2904	10	o 6295
–	–	–	–	15	o 2905	15	o 6296
–	–	–	–	20	o 2906	20	o 6297
–	–	–	–	25	o 2907	25	o 6298
–	–	–	–	30	o 2908	30	o 6299
–	–	–	–	40	o 2923	–	–

BLOW ALERT FUSE

It glows when it blows! When a circuit short or surge occurs, a light on top of the fuse immediately indicates which fuse needs replacing. Replace all fuses in fuse block for ultimate protection.

NEVER GUESS WHICH FUSE IS BLOWN AGAIN!



- BUILT TO EXACTING OEM SPECIFICATIONS
- COLOR-CODED FOR FAST AMPERAGE IDENTIFICATION
- SAVES TIME AND EFFORT AND ELIMINATES GUESSWORK AND TESTING

ATM MINI TYPE			ATC TYPE			MAXI TYPE		
AMPS	COLOR	PART	AMPS	COLOR	PART	AMPS	COLOR	PART
3	Violet	N 6280	3	Violet	N 29070	20	Yellow	E 29080
5	Tan	N 6281	5	Tan	N 29071	30	Green	E 29081
7.5	Brown	N 6282	7.5	Brown	N 29072	40	Orange	E 29082
10	Red	N 6283	10	Red	N 29073	50	Red	E 29083
15	Blue	N 6284	15	Blue	N 29074	60	Blue	E 29084
20	Yellow	N 6285	20	Yellow	N 29075	70	Tan	E 29085
25	Natural	N 6286	25	Natural	N 29076	80	Natural	E 29086
30	Green	N 6287	30	Green	N 29077	100	Violet	E 29087
–	–	–	40	Orange	N 29078	–	–	–

GLASS TUBE FUSES

GLASS TUBE FUSES

Quality fuses provide safety and reliability by preventing short-circuits and overloads that can cause fires and property damage.

AGC

- FAST ACTING
- PHYSICAL SIZE: 1/4" x 1-1/4" (3AG) (6.3mm x 32mm)
- CONSTRUCTION: GLASS TUBE ALBALOY PLATED BRASS END CAPS
- AGENCY APPROVALS: Std. 248-14
UL Listed, Guide JDYX File E19180, 0-10A
UL Recognized, Guide JDYX2 File E19180, 15-30A
CSA Certification, Class 1422-01, File 53787



VOLTAGE RATING:
Up to 12 Amp 250V
14-35 Amp32V

AMPS	VOLTS	PART	AMPS	VOLTS	PART
1	250	R 2930	7-1/2	250	I 2944
1-1/2	250	R 2932	10	250	I 2948
2	250	R 2935	15	32	I 2951
2-1/2	250	R 2938	20	32	I 2952
3	250	R 2939	25	32	I 2953
4	250	R 2940	30	32	I 2954
5	250	R 2941	35	32	I 2955
6	250	R 2942	—	—	—

AGA

- FAST ACTING
- PHYSICAL SIZE: 1/4" x 5/8" (1AG) (6.4mm x 15.9mm)
- CONSTRUCTION: GLASS TUBE
- AGENCY APPROVALS: Std. 248-14
UL File E19180; UL Listed, Guide JDYX 0 - 2-1/2A
UL Recognized, Guide JDYX2 3-30A



AMPS	VOLTS	PART	AMPS	VOLTS	PART
1/2	125	E 30521	7	32	E 30529
1	125	E 30522	7-1/2	32	E 30530
1-1/2	125	E 30523	10	32	E 30531
2	125	E 30524	15	32	E 30532
2-1/2	125	E 30525	20	32	E 30533
3	125	E 30526	25	32	E 30534
5	125	E 30527	30	32	E 30535
6	32	E 30528	—	—	—

GBC

- FAST ACTING
- PHYSICAL SIZE: 1/4" x 31/32"
- CONSTRUCTION: GLASS TUBE



AMPS	VOLTS	PART	AMPS	VOLTS	PART
5	32	E 30750	16	32	E 30752
8	32	E 30751	25	32	E 30753

AGW

- FAST ACTING
- PHYSICAL SIZE: 1/4" x 7/8" (7AG) (6.4mm x 22.2mm)
- CONSTRUCTION: GLASS TUBE



AMPS	VOLTS	PART	AMPS	VOLTS	PART
1	32	E 30536	5	32	E 30541
1-1/2	32	E 30537	6	32	E 30542
2-1/2	32	E 30538	15	32	R 2957
3	32	E 30539	20	32	R 2958
4	32	E 30540	30	32	E 30545

GMA

- FAST ACTING
- PHYSICAL SIZE: 0.197" x 0.788" (5mm x 20mm)
- CONSTRUCTION: GLASS TUBE END CAPS; NICKEL OR SILVER PLATED BRASS
- AGENCY APPROVALS: Std. 248-14
UL Listed, Guide JDYX, File E75865, 0-6A
UL Recognized, Guide JDYX2, File E75865, 7-15A
CSA Certified, Class 1422-01, File E75865, 0-6A



AMPS	VOLTS	PART	AMPS	VOLTS	PART
63mA	250	E 30754	1.6	250	E 30768
100mA	250	E 30755	2	250	E 30769
125mA	250	E 30756	2.5	250	E 30770
200mA	250	E 30757	3	250	E 30771
250mA	250	E 30758	3.15	125	E 30772
300mA	250	E 30759	3.5	125	E 30773
315mA	250	E 30760	4	125	E 30774
500mA	250	E 30761	5	125	E 30775
600mA	250	E 30762	6	125	E 30776
750mA	250	E 30763	7	125	E 30777
800mA	250	E 30764	8	125	E 30778
1	250	E 30765	10	125	E 30779
1.25	250	E 30766	15	125	E 30780
1.5	250	E 30767	—	—	—

AGX

- FAST ACTING
- PHYSICAL SIZE: 1/4" x 1" (8AG) (6.4mm x 25.4mm)
- CONSTRUCTION: GLASS TUBE
- AGENCY APPROVALS: Std. 248-14
UL File E19180
UL Listed, Guide JDYX 0-5A
UL Recognized, Guide JDYX2, 6-30A
CSA File 47233; Class 1422-01, 0-5A



AMPS	VOLTS	PART
2	250	E 30546
3	125	E 30547
8	32	E 30548
20	32	R 2959
25	32	E 30550
30	32	E 30551

NOTE: Due to special processing allow 2-3 weeks for delivery.

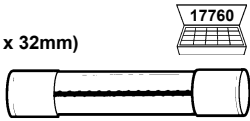
GLASS TUBE FUSES (Cont'd.)

MDL

- TIME DELAY
- PHYSICAL SIZE: 1/4" x 1-1/4" (3AG) (6.3mm x 32mm)
- CONSTRUCTION: GLASS TUBE
- AGENCY APPROVALS: Std. 248-14

UL Listed, Guide JDYX, File E19180; 1/16-8A
 CSA Certification Class 1422-01, File 53787, 1/16-8A
 UL Recognized, Guide JDYX2, File E19180, 8.1-30A

VOLTAGE RATING:
 Up to 8 Amp .250V
 9-30 Amp32V

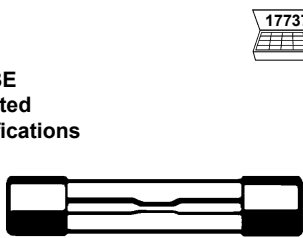


AMPS	VOLTS	PART	AMPS	VOLTS	PART
1/4	250	L 29009	6	250	L 29033
3/8	250	L 29011	6-1/4	250	L 29034
1/2	250	L 29013	7	250	L 29035
3/4	250	L 29016	7-1/2	250	L 29036
1	250	L 29018	8	250	L 29037
1-1/2	250	L 29021	10	32	L 29039
2	250	L 29024	12	32	L 29040
2-1/2	250	L 29026	15	32	L 29041
3	250	L 29028	20	32	L 29042
4	250	L 29031	25	32	L 29043
5	250	L 29032	30	32	L 29044

SFE

- TIME DELAY
- CONSTRUCTION: GLASS TUBE
- AGENCY APPROVALS: UL Listed

Made according to SAE specifications



VOLTAGE RATING: 32V

SIZE	AMPS	VOLTS	PART
1/4 x 5/8	4	32	R 2914
1/4 x 3/4	6	32	R 2915
1/4 x 7/8	7-1/2	32	R 2916
1/4 x 7/8	9	32	R 2917
1/4 x 1-1/16	14	32	R 2918
1/4 x 1-1/4	20	32	R 2919
1/4 x 1-7/16	30	32	R 2920


ELECTRONIC FUSES

PC BOARD AND SMALL DIMENSION

ABC

- FAST ACTING
- PHYSICAL SIZE: 1/4" x 1-1/4" (3AB) (6.3mm x 32mm)
- CONSTRUCTION: CERAMIC TUBE
- AGENCY APPROVALS: Std. 248-14

UL Listed, Guide JDYX File E19180, 0-15A
 UL Recognized, Guide JDYX2, File E19180, 20-25A
 CSA Certification, Class 1422-01, File 53787, Class 1422-30, File 53787, 20-25A




AMPS	VOLTS	PART	AMPS	VOLTS	PART
1/8	250	E 30500	6	250	E 30511
1/4	250	E 30501	7	250	E 30512
1/2	250	E 30502	8	250	E 30513
3/4	250	E 30503	9	250	E 30514
1	250	E 30504	10	250	E 30515
1-1/2	250	E 30505	12	250	E 30516
2	250	E 30506	15	250	E 30517
2-1/2	250	E 30507	20	250	E 30518
3	250	E 30508	25	125	E 30519
4	250	E 30509	30	125	E 30520
5	250	E 30510	-	-	-

MDA

- TIME DELAY
- PHYSICAL SIZE: 1/4" x 1-1/4" (3AB) (6.3mm x 32mm)
- CONSTRUCTION: CERAMIC TUBE; ALBALOY PLATED BRASS END CAPS
- AGENCY APPROVALS: Std. 248-14

UL Listed, Guide JDYX, File E19180, 0-15A
 CSA Certification, Class 1422-01, File 53787, 0-15A



AMPS	VOLTS	PART	AMPS	VOLTS	PART
1/32	250	E 30888	2	250	E 30906
1/10	250	E 30890	2-1/2	250	E 30907
1/8	250	E 30891	2-8/10	250	E 30908
15/100	250	E 30892	3	250	E 30909
2/10	250	E 30893	3-2/10	250	E 30910
1/4	250	E 30894	4	250	E 30911
3/10	250	E 30895	5	250	E 30912
3/8	250	E 30896	6	250	E 30913
4/10	250	E 30897	6-1/4	250	E 30914
1/2	250	E 30898	7	250	E 30915
6/10	250	E 30899	8	250	E 30916
3/4	250	E 30900	10	250	E 30917
8/10	250	E 30901	12	250	E 30918
1	250	E 30902	15	250	E 30919
1-1/4	250	E 30903	20	250	E 30920
1-1/2	250	E 30904	25	250	E 30921
1-6/10	250	E 30905	30	250	E 30922

NOTE: Due to special processing allow 2-3 weeks for delivery.

ELECTRICAL FUSES

POWER FUSES

Quality fuses provide safety and reliability by preventing short-circuits and overloads that can cause fires and property damage.

FRN-R

- DUAL-ELEMENT, TIME-DELAY – 10 seconds (minimum) at 500% rated current
- CURRENT LIMITING RK5 FUSE
- INTERRUPTING RATING: 200,000A RMS SYM. (20,000 AIC @ 125V DC)
- AGENCY APPROVALS: Std. 248-12, Class RK5
UL Listed, Guide JDDZ, File E4273
CSA Certified, Class 1422-01, File 53787
- DIMENSIONS:
1/10-30 Amps = .56" x 2"
35-60 Amps = .81" x 3"
70-100 Amps = 1.06" x 5.88"
110-200 Amps = 1.56" x 7.13"
225-400 Amps = 2.06" x 8.63"
450-600 Amps = 2.59" x 10.38"



FRS-R

- DUAL-ELEMENT, TIME-DELAY – 10 seconds (minimum) at 500% rated current
- CURRENT LIMITING RK5 FUSE
- INTERRUPTING RATING: 200,000A RMS SYM. (0-100A, 201-600A) (20,000 AIC @ 300V DC)
- AGENCY APPROVALS:
Std. 248-12, Class RK5
UL Listed, Guide JDDZ, File E4273
CSA Certified, Class 1422-02, File 53787
- DIMENSIONS:
1/10-30 Amps = .81" x 5"
35-60 Amps = 1.06" x 5.5"
70-100 Amps = 1.34" x 7.88"
110-200 Amps = 1.84" x 9.63"
225-400 Amps = 2.59" x 11.63"
450-600 Amps = 3.13" x 13.38"





AMPS	VOLTS	PART	AMPS	VOLTS	PART
1/10	250	I 30622	8	250	I 30654
1/8	250	I 30623	9	250	I 30655
15/100	250	I 30624	10	250	E 30656
2/10	250	I 30625	12	250	I 30657
1/4	250	I 30626	15	250	E 30658
3/10	250	I 30627	17-1/2	250	I 30659
4/10	250	I 30628	20	250	E 30660
1/2	250	I 30629	25	250	I 30661
6/10	250	I 30630	30	250	E 30662
8/10	250	I 30631	35	250	E 30663
1	250	E 30632	40	250	E 30664
1-1/8	250	I 30633	45	250	E 30665
1-1/4	250	I 30634	50	250	I 30666
1-4/10	250	I 30635	60	250	E 30667
1-1/2	250	I 30636	70	250	E 30668
1-6/10	250	E 30637	75	250	E 30669
1-8/10	250	I 30638	80	250	E 30670
2	250	E 30639	90	250	E 30671
2-1/4	250	I 30640	100	250	E 30672
2-1/2	250	I 30641	110	250	E 30673
2-8/10	250	I 30642	125	250	A 30674
3	250	E 30643	150	250	A 30675
3-2/10	250	I 30644	175	250	A 30676
3-1/2	250	I 30645	200	250	A 30677
4	250	I 30646	225	250	A 30678
4-1/2	250	I 30647	250	250	A 30679
5	250	E 30648	300	250	A 30680
5-6/10	250	I 30649	350	250	A 30681
6	250	I 30650	400	250	A 30682
6-1/4	250	I 30651	450	250	A 30683
7	250	I 30652	500	250	A 30684
7-1/2	250	I 30653	600	250	A 30685


AMPS	VOLTS	PART	AMPS	VOLTS	PART
1/10	600	I 30686	8	600	I 30717
1/8	600	I 31082	9	600	I 30718
15/100	600	I 30687	10	600	B 30719
2/10	600	I 30688	12	600	I 30720
1/4	600	I 30689	15	600	B 30721
3/10	600	I 30690	17-1/2	600	I 30722
4/10	600	I 30691	20	600	B 30723
1/2	600	I 30692	25	600	I 30724
6/10	600	I 30693	30	600	B 30725
8/10	600	I 30694	35	600	I 30726
1	600	I 30695	40	600	E 30727
1-1/8	600	I 30696	45	600	I 30728
1-1/4	600	I 30697	50	600	B 30729
1-4/10	600	I 30698	60	600	I 30730
1-1/2	600	I 30699	70	600	A 30732
1-6/10	600	I 30700	75	600	A 30733
1-8/10	600	I 30701	80	600	A 30734
2	600	I 30702	90	600	A 30735
2-1/4	600	I 30703	100	600	A 30736
2-1/2	600	I 30704	110	600	A 30737
2-8/10	600	I 30705	125	600	A 30738
3	600	I 30706	150	600	A 30739
3-2/10	600	I 30707	175	600	A 30740
3-1/2	600	I 30708	200	600	A 30741
4	600	I 30709	225	600	A 30742
4-1/2	600	I 30710	250	600	A 30743
5	600	I 30711	300	600	A 30744
5-6/10	600	I 30712	350	600	A 30745
6	600	I 30713	400	600	A 30746
6-1/4	600	I 30714	450	600	A 30747
7	600	B 30715	500	600	A 30748
7-1/2	600	I 30716	600	600	A 30749


NOTE: Due to special processing allow 2-3 weeks for delivery.

ELECTRICAL FUSES (Continued)

FNM					
<ul style="list-style-type: none"> • TIME-DELAY • PHYSICAL SIZE: 13/32" x 1-1/2" (5 AG) (10.3mm x 38.1mm) • CONSTRUCTION: FIBRE TUBE • AGENCY APPROVALS: Std. 248-14 UL Listed, 0-10/250V; 12-15/125V; File E19180, Guide JDYX CSA Certified, 1-10/250V; Class 1422-01, 12-15/125V; File 53787 					
AMPS	VOLTS	PART	AMPS	VOLTS	PART
1/10	250	I 30552	3	250	E 30572
15/100	250	I 30553	3-2/10	250	I 30573
2/10	250	I 30554	3-1/2	250	I 30574
1/4	250	E 30555	4	250	E 30575
3/10	250	I 30556	4-1/2	250	I 30576
4/10	250	I 30557	5	250	E 30577
1/2	250	E 30558	5-6/10	250	I 30578
6/10	250	I 30559	6	250	E 30579
8/10	250	I 30560	6-1/4	250	I 30580
1	250	E 30561	7	250	I 30581
1-1/8	250	I 30562	8	250	I 30582
1-1/4	250	E 30563	9	250	I 30583
1-4/10	250	I 30564	10	250	E 30584
1-1/2	250	I 30565	12	125	I 30585
1-6/10	250	I 30566	15	125	E 30586
1-8/10	250	I 30567	20	32	E 30587
2	250	E 30568	25	32	I 30588
2-1/4	250	I 30569	30	32	I 30589
2-1/2	250	E 30570	35	32	I 30590
2-8/10	250	I 30571	40	32	I 30591

KTK					
<ul style="list-style-type: none"> • FAST-ACTING • PHYSICAL SIZE: 13/32" x 1-1/2" (10.3mm x 38.1mm) • CONSTRUCTION: MELAMINE TUBE; ALBALOY PLATED BRASS END CAPS • AGENCY APPROVALS: Std. 248-14 KTK-UL Listed, Guide JDYX, File E19180 CSA Certified, File 53787, Class 1422-01, HRC-Misc 					
AMPS	VOLTS	PART	AMPS	VOLTS	PART
1/10	600	I 30781	5	600	E 30798
1/8	600	I 30782	6	600	I 30799
2/10	600	I 30783	7	600	I 30800
1/4	600	I 30784	7-1/2	600	I 30801
3/10	600	I 30785	8	600	I 30802
4/10	600	I 30786	9	600	I 30803
1/2	600	I 30787	10	600	E 30804
6/10	600	I 30788	12	600	I 30805
3/4	600	I 30789	15	600	I 30806
1	600	E 30790	20	600	E 30807
1-1/4	600	I 30791	25	600	I 30808
1-1/2	600	I 30792	30	600	I 30809
2	600	E 30793	35	600	I 30810
2-1/2	600	E 30794	40	600	I 30811
3	600	I 30795	45	600	I 30812
3-1/2	600	I 30796	50	600	E 30813
4	600	I 30797	-	-	-

FNO-R					
<ul style="list-style-type: none"> • TIME-DELAY, REJECTION TYPE, BRANCH CIRCUIT FUSE CLASS CC • PHYSICAL SIZE: 13/32" x 1-1/2" (10.3mm x 38.1mm) • CONSTRUCTION: MELAMINE TUBE • AGENCY APPROVALS: Std. 248-4, Class CC UL Listed, Guide JDDZ, File E4273 CSA Certified, Class 1422-01, File 53787 					
AMPS	VOLTS	PART	AMPS	VOLTS	PART
1/4	600	B 30592	2	600	B 30607
3/10	600	B 30593	2-1/4	600	B 30608
4/10	600	B 30594	2-1/2	600	B 30609
1/2	600	B 30595	2-8/10	600	B 30610
6/10	600	B 30596	3	600	B 30611
3/4	600	B 30597	3-2/10	600	B 30612
8/10	600	B 30598	3-1/2	600	B 30613
1	600	B 30599	4	600	B 30614
1-1/8	600	B 30600	5	600	B 30615
1-1/4	600	B 30601	6	600	B 30616
1-3/10	600	B 30602	6-1/4	600	B 30617
1-4/10	600	B 30603	7-1/2	600	B 30618
1-1/2	600	B 30604	8	600	B 30619
1-6/10	600	B 30605	9	600	B 30620
1-8/10	600	B 30606	10	600	B 30621

KTK-R					
<ul style="list-style-type: none"> • FAST-ACTING, BRANCH CIRCUIT FUSE, CLASS CC - REJECTION FEATURE • PHYSICAL SIZE: 13/32" x 1-1/2" (10.3mm x 38.1mm) • CONSTRUCTION: MELAMINE TUBE • AGENCY APPROVALS: Std. 248-4, Class CC UL Listed, Guide JDDZ, File E4273 CSA Certified, Class 1422-02, File 53787 					
AMPS	VOLTS	PART	AMPS	VOLTS	PART
1/10	600	I 30814	3-1/2	600	I 30827
1/8	600	I 30815	4	600	I 30828
2/10	600	I 30816	5	600	I 30829
1/4	600	I 30817	6	600	I 30830
3/10	600	I 30818	7	600	I 30831
4/10	600	I 30819	8	600	I 30832
1/2	600	I 30820	9	600	I 30833
3/4	600	I 30821	10	600	B 30834
1	600	B 30822	12	600	I 30835
1-1/2	600	B 30823	15	600	B 30836
2	600	B 30824	20	600	I 30837
2-1/2	600	I 30825	25	600	I 30838
3	600	I 30826	30	600	I 30839

NOTE: Due to special processing allow 2-3 weeks for delivery.

ELECTRICAL FUSES (Continued)

LPJ SP

- DUAL-ELEMENT, TIME-DELAY – 10 seconds (minimum) at 500% rated current
- INTERRUPTING RATING: 300,000A RMS SYM. (UL)
- AGENCY APPROVALS:
UL Listed - Std 248-8 for Class J Fuse, Guide JFHR, E56412
CSA Certified (200,000 AIR) Class J per CSA-22.2
No. 248.8, Class 1422-02, File 53787



DIMENSIONS:

1-30 Amps = .81" x 2.25"; 35-60 Amps = 1.06" x 2.38";
65-100 Amps = 1.13" x 4.63" 110-200 Amps = 1.63" x 5.75";
225-400 Amps = 2" x 7.13"; 450-600 Amps = 2.5" x 8.00"

AMPS	VOLTS	PART	AMPS	VOLTS	PART
1	600	I 30840	25	600	I 30864
1-1/4	600	I 30841	30	600	B 30865
1-6/10	600	I 30842	35	600	I 30866
1-8/10	600	I 30843	40	600	I 30867
2	600	I 30844	45	600	I 30868
2-1/4	600	I 30845	50	600	I 30869
2-1/2	600	I 30846	60	600	I 30870
2-8/10	600	I 30847	70	600	A 30871
3	600	I 30848	80	600	A 30872
3-2/10	600	I 30849	90	600	A 30873
3-1/2	600	I 30850	100	600	A 30874
4	600	I 30851	110	600	A 30875
4-1/2	600	I 30852	125	600	A 30876
5	600	B 30853	150	600	A 30877
5-6/10	600	I 30854	175	600	A 30878
6	600	I 30855	200	600	A 30879
7	600	I 30856	225	600	A 30880
8	600	I 30857	250	600	A 30881
9	600	I 30858	300	600	A 30882
10	600	I 30859	350	600	A 30883
12	600	I 30860	400	600	A 30884
15	600	I 30861	450	600	A 30885
17-1/2	600	I 30862	500	600	A 30886
20	600	B 30863	600	600	A 30887

NON

- GENERAL PURPOSE APPLICATION
- NON-CURRENT LIMITING
- INTERRUPTING RATING:
50,000A RMS SYM. (1-60A), 10,000A (70-600A)
- AGENCY APPROVALS:
UL Listed - 250V, Class K5 (0-60A) Std. 248-9; Class H (70-600A Std. 248-6); 600V, Class K5 (15-60A) Std. 248-9; Class H (0-12A, 70-600A) Std. 248-6, Guide JDDZ, File E4274
CSA Class 1421-01, File 53787
- DIMENSIONS:
70-100 Amps = 1.06" x 5.88"
110-200 Amps = 1.56" x 7.13"
225-400 Amps = 2.06" x 8.63"
450-600 Amps = 2.59" x 10.38"



AMPS	VOLTS	PART	AMPS	VOLTS	PART
1/8	250	I 30923	45	250	I 30944
1/2	250	I 30924	50	250	I 30945
3/4	250	I 30925	60	250	I 30946
1	250	I 30926	70	250	E 30947
1-1/2	250	I 30927	80	250	E 30948
2	250	I 30928	90	250	E 30949
2-1/2	250	I 30929	100	250	E 30950
3	250	I 30930	110	250	A 30951
4	250	I 30931	125	250	A 30952
5	250	I 30932	150	250	A 30953
6	250	I 30933	175	250	A 30954
7	250	I 30934	200	250	A 30955
8	250	I 30935	225	250	A 30956
10	250	I 30936	250	250	A 30957
12	250	I 30937	300	250	A 30958
15	250	I 30938	350	250	A 30959
20	250	I 30939	400	250	A 30960
25	250	I 30940	450	250	A 30961
30	250	I 30941	500	250	A 30962
35	250	I 30942	600	250	A 30963
40	250	I 30943	–	–	–

NOS

- GENERAL PURPOSE APPLICATION
- NON-CURRENT LIMITING
- INTERRUPTING RATING:
50,000A RMS SYM. (1-60A), 10,000A (70-600A)

- AGENCY APPROVALS:
UL Listed - 250V, Class K5 (0-60A) Std. 248-9; Class H (70-600A Std. 248-6); 600V, Class K5 (15-60A) Std. 248-9; Class H (0-12A, 70-600A) Std. 248-6, Guide JDDZ, File E4274
CSA Class 1421-01, File 53787



- DIMENSIONS:
70-100 Amps = 1.34" x 7.88"
110-200 Amps = 1.84" x 9.63"
225-400 Amps = 2.59" x 11.63"
450-600 Amps = 3.13" x 13.38"

AMPS	VOLTS	PART	AMPS	VOLTS	PART	AMPS	VOLTS	PART	AMPS	VOLTS	PART
1	600	I 30964	12	600	I 30974	60	600	I 30983	200	600	A 30992
2	600	I 30965	15	600	I 30975	70	600	A 30984	225	600	A 30993
3	600	I 30966	20	600	I 30976	80	600	A 30985	250	600	A 30994
4	600	I 30967	25	600	I 30977	90	600	A 30986	300	600	A 30995
5	600	I 30968	30	600	I 30978	100	600	A 30987	350	600	A 30996
6	600	I 30969	35	600	I 30979	110	600	A 30988	400	600	A 30997
7	600	I 30970	40	600	I 30980	125	600	A 30989	450	600	A 30998
8	600	I 30971	45	600	I 30981	150	600	A 30990	500	600	A 30999
9	600	I 30972	50	600	I 30982	175	600	A 30991	600	600	A 31000
10	600	I 30973	–	–	–	–	–	–	–	–	–

NOTE: Due to special processing allow 2-3 weeks for delivery.



ELECTRICAL FUSES (Continued)

S PLUG FUSE

- TIME-DELAY, DUAL-ELEMENT
- FOR ALL-PURPOSE APPLICATION. LIKE TWO FUSES IN ONE. A SIMPLE LINK ELEMENT FOR SHORT-CIRCUITS AND DANGEROUS OVERLOADS PLUS A SERIES-CONNECTED ELEMENT WHICH LETS THE HARMLESS OVERLOAD STARTING CURRENTS OF MOTORS PASS WITHOUT OPENING. USES LESS ENERGY; OPERATES COOLER; PROVIDES SUPERIOR PROTECTION. REJECTION BASE
- AGENCY APPROVALS: Std. 248-11
UL Listed (0 - 6-1/4) Guide JFHR, File E56412 (7-30A) Guide JEFV, File E12112; CSA Certified, Class 1423-01, File 53787



AMPS	VOLTS	PART	AMPS	VOLTS	PART
3/10	125	D 31001	4	125	D 31018
1/2	125	D 31002	4-1/2	125	D 31019
6/10	125	D 31003	5	125	D 31020
8/10	125	D 31004	5-6/10	125	D 31021
1	125	D 31005	6	125	D 31022
1-1/8	125	D 31006	6-1/4	125	D 31023
1-1/4	125	D 31007	7	125	D 31024
1-4/10	125	D 31008	8	125	D 31025
1-6/10	125	D 31009	9	125	D 31026
1-8/10	125	D 31010	10	125	D 31027
2	125	D 31011	12	125	D 31028
2-1/4	125	D 31012	14	125	D 31029
2-1/2	125	D 31013	15	125	D 31030
2-8/10	125	D 31014	20	125	D 31031
3	125	D 31015	25	125	D 31032
3-2/10	125	D 31016	30	125	D 31033
3-1/2	125	D 31017	-	-	-

SL PLUG FUSE

- TIME-DELAY LOADED LINK
- HEAT ABSORBING METAL BEAD ON ELEMENT LINK FOR TIME-DELAY. PASSES MOTOR OVERLOAD STARTING CURRENTS WITHOUT NEEDLESSLY OPENING.
- REJECTION BASE
- AGENCY APPROVALS: Std. 248-11
UL Listed, Guide JEFV, File E12112



AMPS	VOLTS	PART	AMPS	VOLTS	PART
15	125	D 31034	25	125	D 31036
20	125	D 31035	30	125	D 31037

TL PLUG FUSE

- TIME-DELAY LOADED LINK
- HEAT ABSORBING METAL BEAD ON ELEMENT LINK FOR TIME-DELAY. PASSES MOTOR OVERLOAD STARTING CURRENTS WITHOUT NEEDLESSLY OPENING.
- EDISON BASE
- AGENCY APPROVALS: Std. 248-11
UL Listed, Guide JEFV, File E12112



AMPS	VOLTS	PART	AMPS	VOLTS	PART
15	125	D 31066	25	125	D 31068
20	125	D 31067	30	125	D 31069

T PLUG FUSE

- FAST ACTING
- FOR ALL-PURPOSE APPLICATION. LIKE TWO FUSES IN ONE. A SIMPLE LINK ELEMENT FOR SHORT-CIRCUITS AND DANGEROUS OVERLOADS PLUS A SERIES-CONNECTED ELEMENT WHICH LETS THE HARMLESS OVERLOAD STARTING CURRENTS OF MOTORS PASS WITHOUT OPENING. USES LESS ENERGY; OPERATES COOLER; PROVIDES SUPERIOR PROTECTION. EDISON BASE
- AGENCY APPROVALS: Std. 248-11



AMPS	VOLTS	PART	AMPS	VOLTS	PART
1-1/8	125	D 31038	5	125	D 31052
1-1/4	125	D 31039	5-6/10	125	D 31053
1-4/10	125	D 31040	6	125	D 31054
1-6/10	125	D 31041	6-1/4	125	D 31055
1-8/10	125	D 31042	7	125	D 31056
2	125	D 31043	8	125	D 31057
2-1/4	125	D 31044	9	125	D 31058
2-1/2	125	D 31045	10	125	D 31059
2-8/10	125	D 31046	12	125	D 31060
3	125	D 31047	14	125	D 31061
3-2/10	125	D 31048	15	125	D 31062
3-1/2	125	D 31049	20	125	D 31063
4	125	D 31050	25	125	D 31064
4-1/2	125	D 31051	30	125	D 31065

W PLUG FUSE

- FAST-ACTING
- ELEMENT IS A SIMPLE FUSIBLE, METAL LINK. FOR GENERAL PURPOSE CIRCUIT PROTECTION. QUICKLY OPENS WHEN SHORT-CIRCUIT OR OVERLOAD OCCURS. USE FOR LIGHTING AND OTHER NON-MOTOR CIRCUITS.
- EDISON BASE
- AGENCY APPROVALS: Std. 248-11
UL Listed, Guide JEFV, File E12112



AMPS	VOLTS	PART
1	125	D 31070
2	125	D 31071
2-1/2	125	D 31072
3	125	D 31073
5	125	D 31074
6	125	D 31075
8	125	D 31076
10	125	D 31077

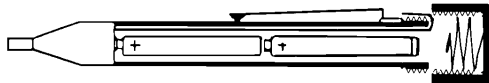
NOTE: Due to special processing allow 2-3 weeks for delivery.

SENSORS AND DETECTORS

"STARLITE" AC SENSOR

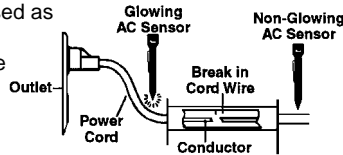
- A UL LISTING, PATENTED HAND HELD DEVICE USED FOR DETERMINING THE PRESENCE OR ABSENCE OF AC VOLTAGE IN INSULATED WIRES, WALL RECEPTACLES, FUSES, JUNCTION BOXES, SWITCHES OR ANY OTHER VOLTAGE CARRYING ELECTRICAL SYSTEM
- WILL LOCATE VOLTAGE OF 110-600 AC
- NO NEED TO DISCONNECT THE SYSTEM IN QUESTION BECAUSE NO CONTACT IS REQUIRED FOR OPERATION AND CURRENT FLOW IS NOT NECESSARY TO LOCATE VOLTAGE
- USE 2 AAA ALKALINE BATTERIES (INCLUDED)
- MADE IN U.S.A.

P/N 8207



DIRECTIONS:

1. Simply touch the plastic probe tip to a connection point or move it along an insulated wire. If AC voltage is present, the LED light in the probe tip will glow bright red.
2. Illumination will stop at a break in the circuit or wire and this allows the AC sensor to be used as a troubleshooting instrument.
3. As you move the plastic probe tip away from the electrical source, in this case the wall receptacle, the probe tip will stop glowing at the exact break point in the wire.



PRESSURE DETECTION VALVE CAP



- THIS PRESSURE DETECTION VALVE CAP FLASHES WHEN TIRE PRESSURE FALLS 4 PSI (TRUCK VERSION 8 PSI) BELOW THE CORRECT PRESSURE
- THIS SMALL, SIMPLE, LIGHTWEIGHT DEVICE HAS NO IMPACT ON THE WHEEL BALANCING OR THE APPEARANCE OF THE VEHICLE
- DURABLE DESIGN WITHSTANDS EVEN THE TOUGHEST CONDITIONS
- CHROME PLATED BRASS BODY AND A POLY CARBONATE LENS IS 100% SELF-CONTAINED WITH ONBOARD BATTERY
- HAS NO MOVING COMPONENTS EXCEPT FOR A FLEXING SENSOR WHICH WILL TRIGGER IF THE TIRE PRESSURE DROPS
- CAP AUTOMATICALLY AND PERMANENTLY CALIBRATES THE FIRST TIME IT IS PLACED ON VALVE STEM AND CANNOT BE RECALIBRATED
- ONE SIZE FITS ALL CARS, SUVs AND TRUCKS (10-130 PSI)
- MAXIMIZES GAS MILEAGE
- IMPROVES SAFETY
- REDUCES TIRE WEAR

BATTERIES:

- BATTERIES ARE GOOD FOR ABOUT 3-4 YEARS OF STAND-BY AND UP TO 6 WEEKS OF BLINKING
- BATTERIES CANNOT BE CHANGED SINCE THE UNIT IS TOTALLY SEALED TO MAKE SURE IT IS AIRTIGHT



DESCRIPTION

PART

Pressure Detection Valve Cap – Car	A	78026
Pressure Detection Valve Cap – Truck	A	78027

ELECTRICAL TESTERS

GFCI RECEPTACLE TESTER

- Tests GFCI Receptacles for Proper Operation
- Warns Against Faulty Wiring in 3-wire Receptacles
- For Use On 120V AC Circuits



GFCI Testing

1. Consult the GFCI device manufacturer's instructions to determine that the GFCI is installed in accordance with the manufacturer's specifications.
2. Check for correct wiring of the receptacle and all remotely connected receptacles on the branch circuit.
3. Operate the test button on the GFCI installed in the circuit. The test light will turn on, indicating the activation of the GFCI test. The GFCI must trip. If the GFCI does not trip, consult a qualified electrician. If it does trip, reset the GFCI.
4. Activate the test button on the GFCI tester for a minimum of 6 seconds when testing the GFCI condition. Visible indication on the GFCI tester must cease when tripped.
5. If the tester fails to trip the GFCI, it suggests:
 - (a) a wiring problem with a totally operable GFCI,
 - or (b) proper wiring with a faulty GFCI. Consult with an electrician to check the condition of the wiring and the GFCI.

SIZE

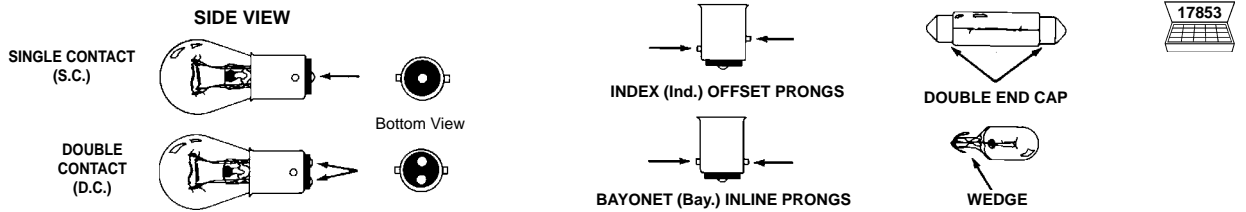
PART

GFCI Receptacle Tester

A 2871

BULBS – AUTOMOTIVE AND TRUCK

SINGLE/DOUBLE CONTACT & SEVERAL BASE STYLES



LAMP #	VOLTS	C.P.	LIFE HRS.	BASE	PART	LAMP #	VOLTS	C.P.	LIFE HRS.	BASE	PART
24	14.0	2	1500	Wedge	28901	1073	12.0	32	200	S.C. Bay	28924
37	14.0	0.5	2500	Wedge	28903	1141	12.0	21	500	S.C. Bay	28926
53	14.4	1	1000	Min. Bay	28900	1156	12.0	32	600	S.C. Bay, HD	28928
57	14.0	2	500	Min. Bay	28902	1156NA	12.8	24	1200	S.C. Bay	28921
67	13.5	4	**	S.C. Bay	28904	1157	12.0	32	600	D.C. Ind., HD	28930
74	14.0	0.7	500	Wedge	28905	1157 NA	12.8 ^A	32	**	D.C. Ind., HD	28932
89	13.0	6	750	S.C. Bay	28906	1176	12.0	21/6	200/1M	D.C. Bay	28934
90	13.0	6	750	D.C. Bay	28908	1445	12.0	1.5	**	Min. Bay	28936
97	13.5	4	**	S.C. Bay	28910*	1816	13.0	3	1000	Mini Bayonet	28923
168	14.0	2	500	Wedge	28912	1889	14.0	2	2000	Mini Bayonet	28925
193	14.0	2	5000	Wedge	28907	1891	14.0	2	500	Mini Bayonet	28927
194	14.0	2	1500	Wedge	28914	1893	12.0	2	5000	S.C. Bay	28938
194NA	14.0	1.5	2500	Wedge	28909	1895	14.0	2	1500	Min. Bay, HD	28940
198	12.8	32	1200	D.C. Index	28911	2057	12.8	32	1200	D.C. Index	28929
199	12.8	32	1200	S.C. Bay	28913	2057NA	12.8	24	1200	D.C. Ind., HD	28943
211-2	12.8	12	1000	Dbl. End Cap	28916	3057	12.8	32	1200	Wedge	28931
906	13.0	6	1000	Wedge	28915	3057NA	12.8	24	1200	Wedge	28933
912	12.8	12	1000	Wedge	28917	3156	12.8	32	1200	Wedge	28935
921	12.8	21	1000	Wedge	28919	3157	12.8	32	1200	Wedge	28941
1003	12.8	15	100	S.C. Bay	28918	3157NA	12.8	24	1200	Wedge	28942
1004	12.0	15	100	D.C. Bay	28920	3357	12.8	40	400	Wedge	28937
1034	12.0	32.3	200	D.C. Bay	28922	-	-	-	-	-	-

* HEAVY DUTY FLEET SERVICE ** INDEFINITELY LONG A=AMBER

AUTOMOTIVE SHOP SUPPLIES

FLASHERS, SOCKETS/PLUGS AND TOGGLE SWITCHES

ELECTRONIC SIGNAL FLASHERS

- MEETS THE DEMANDS OF HEAVY TRUCKS
- TEMPERATURE COMPENSATOR FOR AN EVEN FLASHING RATE IN ALL TEMPERATURE RANGES
- THICKER PALLADIUM CONTACT FOR LONGER LIFE UNDER HEAVY LOADS
- BRASS TERMINALS FOR CORROSION RESISTANCE AND GREATER STABILITY UNDER HIGH HEAT
- DESIGNED TO CONFORM TO ALL D.O.T. REQUIREMENTS AND SAE SPECIFICATIONS



INDUSTRY #	# OF PRONGS	VOLTAGE	LOAD LAMPS	TOTAL MAX WATTS	PART
EL 12	2	12	1 TO 10	250	A 29060
EL 13	3	12	1 TO 10	250	A 29061

SOCKETS



- EXPOSED TERMINAL SCREWS
- SPLIT CONTACT PINS
- REPLACEABLE INTERIOR WITH SPECIAL HOUSING DESIGN TO PROTECT CONNECTIONS FROM ROAD SPLASH, DIRT, ETC.
- FLANGE HOLES 17/64" (6.74MM) DIAMETER, 2-15/16" (74.60MM) ON CENTERS
- MOUNTS THROUGH 1-3/8" (34.90MM) DIAMETER HOLE

SIZE	INDUSTRY #	PART
6-POLE	1235	A 29100

7-POLE SOCKETS



- SELF GROUNDING
- CORROSION RESISTANT DIE CAST METAL CONSTRUCTION
- SOLID BRASS SPLIT CONTACT PINS
- FLANGE HOLES 21/64" (8.33MM) DIA., 2-15/16" (74.60MM) ON CENTERS
- MOUNTS THROUGH 2" (50.80MM) DIAMETER HOLE

SIZE	INDUSTRY #	PART
7-POLE	12063-01	A 29105

PLUGS

- INTEGRAL CLAMP PREVENTS CABLE FROM BEING PULLED LOOSE FROM CONNECTIONS
- REPLACEABLE INTERIOR
- PLATED STEEL SPRING CABLE PROTECTOR



SPRING SOLD SEPARATELY

SIZE	INDUSTRY #	PART
4-POLE	1253	A 29101
6-POLE	1254	A 29102
SPRING	-	A 29109

7-POLE PLUGS



SPRING SOLD SEPARATELY

- HEAVY DUTY CORROSION RESISTANT DIE CAST CONSTRUCTION
- INTEGRAL CABLE CLAMP (HOLDS ALL SIZE CABLES FIRMLY IN PLACE)
 - REPLACEABLE INTERIOR
 - PLATED STEEL SPRING CABLE PROTECTOR ELIMINATES DESTRUCTIVE SHARP BENDS
 - CONTACTS "FLOAT" FOR PROPER ENGAGEMENT WITH ALL MATING SOCKETS
 - GROUND TERMINAL ACCEPTS UP TO #8 GAUGE WIRE, OTHER TERMINALS UP TO #10 GAUGE WIRE
 - SCREW TERMINALS WITH OPTIMUM THREAD DESIGN FOR SECURE WIRE CONNECTIONS

SIZE	INDUSTRY #	PART
7-POLE	12092	A 29106
SPRING	-	A 29109

AUTOMOTIVE SHOP SUPPLIES

FLASHERS, SOCKETS/PLUGS AND TOGGLE SWITCHES

TOGGLE SWITCHES



- PLASTIC HOUSING WITH PLATED STEEL CAP
- STEM AND MOUNTING HARDWARE ARE NICKEL PLATED BRASS
- NICKEL PLATED BRASS HANDLES, STANDARD OR LONG VERSION
- MOUNTING STEM 15/32-32 THREAD, 15/32" LONG
- FITS PANELS UP TO 1/4" THICK
- SILVER CONTACTS FOR DEPENDABLE ELECTRICAL OPERATION
- KEYWAY IN STEM LOCATED IN DOWN POSITION

DESCRIPTION	UP POSITION	DOWN POSITION	TERMINAL #	TERMINAL TYPE	PART
Double Pole - Single Throw	ON	OFF	4	SCREW	A 29108
Double Pole - Single Throw	ON	OFF	4	BLADE	A 29110
Single Pole - Single Throw	ON	OFF	2	SCREW	A 29107

CIC 200™ CABLE AND BATTERY SUPPLIES

BATTERY MAINTENANCE KIT

FEATURES & BENEFITS

- Great battery maintenance kit for tow trucks, car lots, field repair, govt. motorpools, body shops, rental fleets, etc.
- 29 pieces total
- All tools are top of the line quality (made in the USA)
- Packaged in a portable, rugged all steel case with carrying handle, finished in red laquer paint
- Has all the parts needed to service and change your battery
- This high quality maintenance kit will provide the professional technician many years of service

THE KIT CONTAINS:

- Heavy Duty Crimper – 6 GA to 4/0 GA
- Heavy Duty Cable Cutter – Max. 350 MCM
- Battery Cable Stripper
- Positive Straight Battery Terminals – 2/0 GA
- Negative Straight Battery Terminals – 2/0 GA
- Positive Right Angle Battery Terminals – 2/0 GA
- Negative Right Angle Battery Terminals – 2/0 GA
- Magna Lug / 3/8" Stud – 2/0 GA
- Magna Lug / 1/2" Stud – 2/0 GA
- Black 6" Heavy Wall Heat Shrink Tubing – 2 GA to 4/0 GA
- Red 6" Heavy Wall Heat Shrink Tubing – 2 GA to 4/0 GA



P/N 17035

BOOSTER CABLES




- HEAVY DUTY BOOSTER CABLES FOR ALL-SEASON RELIABILITY
- PROFESSIONAL QUALITY 400 AMP CLAMPS ENSURE QUICK AND EASY CONNECTIONS
- HEAVY 40 GA CABLE REMAINS FLEXIBLE TO -40°F
- FULLY INSULATED CLAMPS PROVIDE ADDED SAFETY
- LONG 16 FOOT LENGTH FOR EASY HOOKUP



SIZE	PART
4GA x 16 FT BLUE / BLACK BOOSTER CABLES	A 28090



CIC 200™ CABLE AND BATTERY SUPPLIES

BATTERY TERMINALS



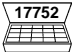

MARINE			UNIVERSAL		BOLT & NUT		MILITARY	
BOTH POSITIVE AND NEGATIVE, EACH FEATURING DIFFERENT SIZE STUD AND WING NUT. DIMENSIONAL DIFFERENCE PREVENTS CROSS POLARITY WHEN ATTACHING CABLE TO BATTERY POST.					 Bolt & Nut #2855 Nuts only #2860		<ul style="list-style-type: none"> • LOW PROFILE DESIGN MEASURES ONLY 3/4" HIGH • LONG BOLT PERMITS ADDITIONAL POWER CONNECTIONS • POLARITY SPECIFIC LEAD CONSTRUCTION, ZINC PLATED STEEL FASTENERS INCLUDED • MIL SPEC A52425-1 / A52425-2 	
SIZE	POS.	NEG.	SIZE	PART	SIZE	PART	POSITIVE	NEGATIVE
5/16	–	I 2870	#2 to 4/0	I 2811	5/16 x 1-3/8	T 2855		
3/8	I 2872	–	#4 to #2	I 2813	5/16	T 2860	D 2810	D 2812


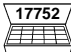

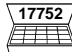

POST TYPE TERMINALS

Easily identified, electro-tin plated copper connector provides high conductivity and resists corrosion.


STRAIGHT			RIGHT ANGLE (FLAG)			RIGHT ELBOW		
 								
CABLE SIZE	POLARITY	PART	CABLE SIZE	POLARITY	PART	CABLE SIZE	POLARITY	PART
6 GA.	POS.	E 32219	1/0	NEG.	D 32125	1/0	NEG.	D 32135
6 GA.	NEG.	E 32221	1/0	POS.	D 32126	1/0	POS.	D 32136
6-4 GA.	UNIV.	E 32220	2/0	NEG.	D 32127	2/0	NEG.	D 32137
4 GA.	UNIV.	D 32110	2/0	POS.	D 32128	2/0	POS.	D 32138
1 + 2 GA.	NEG.	D 32113	3/0	NEG.	D 32129	3/0	NEG.	D 32139
1 + 2 GA.	POS.	D 32114	3/0	POS.	D 32130	3/0	POS.	D 32140
1/0	NEG.	D 32115	4/0	NEG.	D 32131	4/0	NEG.	D 32141
1/0	POS.	D 32116	4/0	POS.	D 32132	4/0	POS.	D 32142
2/0	NEG.	D 32117	–	–	–	–	–	–
2/0	POS.	D 32118	–	–	–	–	–	–
3/0	NEG.	D 32119	–	–	–	–	–	–
3/0	POS.	D 32120	–	–	–	–	–	–
4/0	NEG.	D 32121	–	–	–	–	–	–
4/0	POS.	D 32122	–	–	–	–	–	–

CIC 200™ CABLE AND BATTERY SUPPLIES

POST TOP — LEFT ELBOW			STUD TOP/SIDE MOUNT — STRAIGHT			STUD TOP/SIDE MOUNT — DOUBLE (SPLICE)		
			 					
CABLE SIZE	POLARITY	PART	CABLE SIZE	POLARITY	PART	CABLE SIZE	POLARITY	PART
1/0	NEG.	D 32145	4 GA.	UNIV.	D 32155	2/0	UNIV.	D 32162
1/0	POS.	D 32146	1 + 2 GA.	UNIV.	D 32156	3/0	UNIV.	D 32163
2/0	NEG.	D 32147	1/0	UNIV.	D 32157	-	-	-
2/0	POS.	D 32148	2/0	UNIV.	D 32158	-	-	-
3/0	NEG.	D 32149	3/0	UNIV.	D 32159	-	-	-
3/0	POS.	D 32150	4/0	UNIV.	D 32160	-	-	-
4/0	NEG.	D 32151	-	-	-	-	-	-
4/0	POS.	D 32152	-	-	-	-	-	-

STUD NUT		SIDE MOUNT BOLT		SIDE MOUNT BOLT - X-LONG	
 		 			
SIZE	PART	SIZE	PART	SIZE	PART
3/8-16	I 32165	3/8-16 (OEM)	I 32166	3/8-16 (X-LONG)	F 32167

CRIMPING COLOR CODES				
AWG #	LEFT DIE	RIGHT DIE	TERMINAL COLOR CODE	# OF CRIMPS
4	J	H	GREEN	1
2	H	H	PINK	2
1	H	H	PINK	2
1/0	E	A	BLACK	2
2/0	A	C	ORANGE	2
3/0	A	B	PURPLE	2
4/0	A	A	YELLOW	2

SOLDER BUTT CONNECTORS					
SOLDER OR CRIMP TYPE  NON-INSULATED <ul style="list-style-type: none"> • HIGHEST GRADE PURE ELECTROLYTIC COPPER • TIN PLATED • FULLY ANNEALED FOR EASY, SECURE CRIMPING • FLARED BARREL ENDS • SEAMLESS CONSTRUCTION • EASY IDENTIFICATION 	CABLE SIZE	LENGTH	BARREL I.D.	PART	
	8 GA.	1.000	.186	R	6261
	6 GA.	1.075	.232	R	6262
	4 GA.	1.215	.286	R	6263
	2 GA.	1.350	.336	N	6264
	1 GA.	1.350	.360	N	6265
	1/0	1.550	.407	N	6266
	2/0	1.800	.461	L	6267
	3/0	1.900	.511	L	6268
4/0	2.000	.590	I	6269	

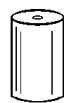
CIC 200™ CABLE AND BATTERY SUPPLIES

CIC 200™ SOLDER LINK SLUGS

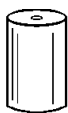
CIC 200 Solder Link Slugs and Sur-Seal Shrink Tubing provide the fastest, easiest, hermetically sealed battery connections possible — far superior to crimping.



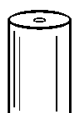
GRAY



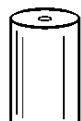
GREEN



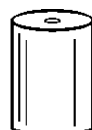
PINK



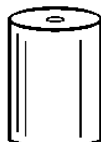
BLACK



ORANGE



PURPLE



YELLOW

FEATURES:

- COST EFFICIENT — NO EXPENSIVE TOOLS REQUIRED
- PRE-MEASURED — PROVIDES THE EXACT AMOUNT OF SOLDER FOR EACH SIZE CONNECTOR
- AVAILABLE IN SEVEN SIZES — 4 GAUGE TO 4/0
- COLOR CODED — COINCIDES WITH INDUSTRY STANDARDS
- PROVIDES THE PERFECT CONNECTION EVERY TIME — COMPLETE AND ENVIRONMENTALLY SEALED
- FLUX-CORED TO ELIMINATE CONTAMINATION
- EASY TO USE



SIMPLY DROP A SOLDER LINK SLUG INTO A BATTERY TERMINAL, HEAT WITH TORCH WHILE PRESSING STRIPPED CABLE INTO TERMINAL AND ALLOW TO COOL. FIT SHRINK TUBING FOR EXTRA PROTECTION AGAINST THE ELEMENTS.

SIZE	COLOR / DESCRIPTION		PART
4 GA	Gray	N	6270
2 GA	Green	N	6271
1 GA	Pink	R	6272
1/0	Black	R	6273
2/0	Orange	N	6274
3/0	Purple	N	6275
4/0	Yellow	L	6276
2 oz. Bottle	Solder-Link™ Flux	A	74518

CABLE

BATTERY CABLE

- BLACK
- SPECIAL ALL-WEATHER VINYL INSULATION
- FLEXIBLE AND CRACK PROOF
- OIL, ACID, GREASE AND WATER RESISTANT
- EASIER STRIPPING
- PLASTICITY REMAINS CONSTANT IN EXTREME TEMPERATURES
- MEETS ALL QUALITY AND PERFORMANCE REQUIREMENTS OF U.S. GOVERNMENT



SIZE	25 FEET	50 FEET
6	8168	8184
4	8170	8186
2	8172	8188
1	8174	8190
1/0	8176	8192
2/0	8178	8194
3/0	8180	8196
4/0	8182	8198

FLEXIBLE WELDING/BATTERY CABLE

- MUCH MORE FLEXIBLE THAN STANDARD BATTERY CABLE
- TEMPERATURE RANGE -40°C to 90°C (-40°F to 194°F)
- 600 VOLT RATING
- RESISTS FLAME, OIL, GREASE, SOLVENTS, ACIDS, OZONE AND ABRASION



RED		BLACK	
SIZE	25 FEET	SIZE	25 FEET
6	8169	6	8185
4	8171	4	8187
2	8173	2	8189
1	8175	1	8191
1/0	8177	1/0	8193
2/0	8179	2/0	8195
3/0	8181	3/0	8197
4/0	8183	4/0	8199

CIC 200™ CABLE AND BATTERY SUPPLIES

CRIMPING/STRIPPING TOOLS

HAMMER TYPE BATTERY CRIMPER

6 GA to 4/0 GA Professional Tool

Convenient and economical alternative for crimping lugs and terminals.

Features Include

- Spring Loaded; locks in up position for loading connector and cable and locks them in place when released
- Just hammer the top of the pin to crimp
- Simple and easy

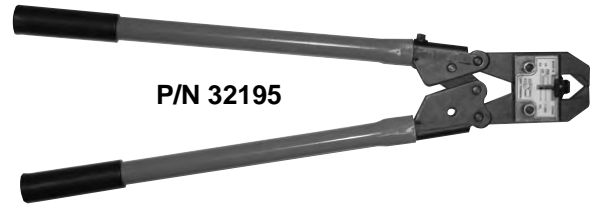


P/N 32191

HEAVY DUTY CRIMPING TOOL

Features

- 6 GA to 4/0 GA
- A rugged tool that is easy to use
- Wire range from 4 GA to 4/0 GA
- Just rotate knob to desired crimping gauge
- Permanently installed jaws – no missing parts
- Long handle provides excellent leverage



P/N 32195

HEAVY DUTY CABLE CUTTER

Features

- Maximum 350 MCM
- A rugged tool that is easy to use

P/N 32194



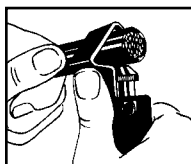
CIC 200™ CABLE AND BATTERY SUPPLIES

BATTERY CABLE STRIPPER

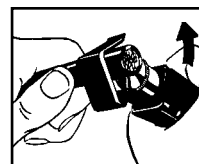
- PRECISE DEPTH CONTROL ASSURES A CLEAN EASY STRIP WITH NO KNICKING OF CONDUCTORS
- HEAVY DUTY DESIGN PROVIDES LASTING, DEPENDABLE SERVICE
- ADJUSTABLE FOR CABLE SIZES 8 GAUGE THROUGH 400 MCM
- REPLACEMENT BLADE INCLUDED (STORED IN HANDLE)
- CAN BE USED FOR BOTH END AND CENTER STRIPPING



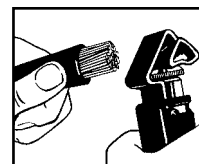
P/N 8215



1. Raise cable guide and place cable inside.

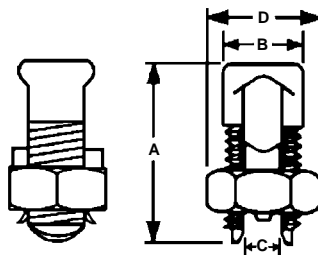


2. Rotate tool around cable.



3. Remove insulation.

COPPER SPLIT BOLTS



20

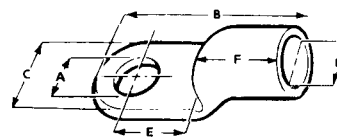
WIRE RANGE		DIMENSIONS				PART
EQUAL MAIN & TAP (MIN-MAX)	MIN. TAP WITH MAX. MAIN	A	B	C	D	
12 STR - 10 STR	16 STR	23/32	9/32	1/8	31/64	E 2740
10 STR - 8 STR	14 STR	23/32	3/8	9/64	37/64	E 2741
8 STR - 6 SOL	14 STR	63/64	7/16	11/64	45/64	E 2742
8 STR - 4 SOL	14 STR	1-3/64	1/2	7/32	25/32	E 2743
6 STR - 2 SOL	14 STR	1-5/64	37/64	17/64	27/32	B 2744
6 STR - 2 STR	14 STR	1-1/2	5/8	21/64	59/64	B 2745
4 STR - 1/0 STR	14 STR	1-25/32	13/16	7/16	1-3/16	B 2746
1 STR - 2/0 STR	14 STR	1-11/16	13/16	27/64	1-1/16	A 2747
2/0 STR - 3/0 STR	8 STR	2-3/32	63/64	17/32	1-1/4	A 2752
4/0 STR - 250 MCM	8 STR	2-3/32	1-1/16	37/64	1-1/4	A 2764

NOTE: Use Red Lion™ Red Insulating Varnish (P/N 4139) to assure a long-term, weather resistant connection.

CIC 200™ CABLE AND BATTERY SUPPLIES

HEAVY DUTY CRIMP OR SOLDER ELECTRICAL LUGS

- TIN PLATED, HIGH GRADE PURE ELECTROLYTIC COPPER LUGS THAT ARE FULLY ANNEALED FOR EASY, SECURE CRIMPING
- FLARED BARREL ENDS WITH SEAMLESS CONSTRUCTION ARE MARKED WITH WIRE SIZE



AWG WIRE SIZE	PAD THICKNESS	A STUD SIZE	B LTH	C PAD WTH	D BARREL I.D.	E CLEARANCE	F BARREL LTH	PART	AWG WIRE SIZE	PAD THICKNESS	A STUD SIZE	B LTH	C PAD WTH	D BARREL I.D.	E CLEARANCE	F BARREL LTH	PART
8	.075	10	1.23	.46	.186	.32	.450	R 6200	2	.100	3/8	1.65	.63	.336	.38	.575	N 6225
8	.075	1/4	1.23	.46	.186	.32	.450	R 6201	2	.115	1/2	1.78	.78	.336	.44	.575	N 6226
8	.075	3/8	1.37	.62	.186	.38	.450	R 6202	1	.100	1/4	1.75	.68	.360	.38	.625	N 6229
8	.075	1/2	1.51	.78	.186	.44	.450	R 6203	1	.100	5/16	1.75	.68	.360	.38	.625	N 6230
6	.080	10	1.30	.46	.232	.32	.475	R 6208	1	.100	3/8	1.75	.68	.360	.38	.625	N 6231
6	.080	1/4	1.30	.46	.232	.32	.475	R 6209	1	.115	1/2	1.86	.78	.360	.44	.625	N 6232
6	.080	5/16	1.44	.62	.232	.38	.475	R 6211	1/0	.100	1/4	1.89	.75	.407	.38	.675	N 6235
6	.080	3/8	1.44	.62	.232	.38	.475	R 6212	1/0	.100	5/16	1.89	.75	.407	.38	.675	N 6236
6	.080	1/2	1.58	.78	.232	.44	.475	R 6213	1/0	.100	3/8	1.89	.75	.407	.38	.675	N 6237
4	.085	10	1.53	.54	.286	.38	.550	N 6216	1/0	.115	1/2	1.98	.84	.407	.44	.675	N 6238
4	.085	1/4	1.53	.54	.286	.38	.550	N 6217	2/0	.105	3/8	2.11	.83	.461	.48	.700	N 6241
4	.085	5/16	1.58	.64	.286	.38	.550	N 6218	2/0	.105	1/2	2.11	.83	.461	.48	.700	N 6242
4	.085	3/8	1.58	.64	.286	.38	.550	N 6219	3/0	.115	3/8	2.22	.92	.511	.48	.725	L 6245
4	.115	1/2	1.71	.78	.286	.44	.550	N 6220	3/0	.115	1/2	2.22	.92	.511	.48	.725	L 6246
2	.100	1/4	1.65	.63	.336	.38	.575	N 6223	4/0	.125	3/8	2.38	1.00	.559	.52	.750	L 6248
2	.100	5/16	1.65	.63	.336	.38	.575	N 6224	4/0	.125	1/2	2.38	1.00	.559	.52	.750	L 6249

20

MAGNA LUGS

STARTER/GROUND UG BATTERY TERMINALS

- COLOR CODED FOR EASY IDENTIFICATION
- WIDER PADS FOR BETTER ELECTRICAL CONTACT
- THICKER PADS FOR GREATER STRENGTH
- 80% THICKER WALLS FOR GREATER CONDUCTIVITY AND STRENGTH
- SAME CRIMP SETTINGS AS BATTERY TERMINALS, SAVING YOU TIME, TROUBLE AND ERRORS
- EXCEED SAE CONDUCTIVITY STANDARDS
- MADE OF 100% COPPER, TIN PLATED TWICE AS THICK AS INDUSTRY STANDARDS
- CAN BE CRIMPED OR SOLDERED



WIRE GAUGE	STUD SIZE	COLOR CODE	PART	WIRE GAUGE	STUD SIZE	COLOR CODE	PART
6	1/4"	Gray	I 32216	1/0	5/16"	Black	I 32202
6	5/16"	Gray	I 32217	1/0	3/8"	Black	I 32201
6	3/8"	Gray	I 32218	1/0	1/2"	Black	I 32200
4	1/4"	Gray	I 32213	2/0	5/16"	Orange	I 32208
4	5/16"	Gray	I 32215	2/0	3/8"	Orange	I 32207
4	3/8"	Gray	I 32214	2/0	1/2"	Orange	I 32206
1-2	5/16"	Pink	I 32205	3/0	3/8"	Purple	E 32210
1-2	3/8"	Pink	E 32204	3/0	1/2"	Purple	E 32209
1-2	1/2"	Pink	I 32203	4/0	3/8"	Yellow	E 32212
				4/0	1/2"	Yellow	E 32211

CIC 200™ CABLE AND BATTERY SUPPLIES

COMPRESSION LUGS AND CONNECTORS

COMPRESSION LUGS

- HIGH CONDUCTIVITY
- WROUGHT COPPER
- ELECTRO TIN PLATED TO MINIMIZE CORROSION
- LONG BARREL PERMITS TWO CRIMPS FOR HEAVY LOADS
- COLOR CODE DESIGNATES CABLE SIZE AND TOOL SETTING DIE
- CHAMFERED ENDS PROVIDE EASY CABLE INSERTION



AWG	STUD SIZE	COLOR CODE	LENGTH	WIDTH	PART	AWG	STUD SIZE	COLOR CODE	LENGTH	WIDTH	PART
8 GA	10	Red	1-21/32	11/32	I 22314	4/0 GA	3/8	Purple	3-3/64	1-1/64	B 22327
6 GA	1/4	Blue	1-45/64	13/32	I 22315	4/0 GA	1/2	Purple	3-3/64	1-1/64	B 22328
4 GA	1/4	Grey	1-3/4	1/2	I 22316	250 MCM	3/8	Yellow	3-11/32	1-9/64	B 22329
2 GA	1/4	Brown	2-1/16	39/64	E 22317	250 MCM	1/2	Yellow	3-11/32	1-9/64	B 22330
2 GA	5/16	Brown	2-1/16	39/64	E 22318	300 MCM	3/8	White	3-1/2	1-7/32	B 22331
1 GA	1/4	Green	2-5/32	11/16	E 22319	300 MCM	1/2	White	3-1/2	1-7/32	B 22332
1 GA	5/16	Green	2-5/32	11/16	E 22320	350 MCM	3/8	Red	3-45/64	1-5/16	B 22333
1/0 GA	5/16	Pink	2-11/32	49/64	E 22321	350 MCM	1/2	Red	3-45/64	1-5/16	B 22334
1/0 GA	3/8	Pink	2-11/32	49/64	E 22322	400 MCM	3/8	Blue	3-29/32	1-13/32	B 22335
2/0 GA	3/8	Black	2-1/2	53/64	E 22323	400 MCM	1/2	Blue	3-29/32	1-13/32	B 22336
2/0 GA	1/2	Black	2-1/2	53/64	E 22324	500 MCM	3/8	Brown	4-1/2	1-37/64	A 22337
3/0 GA	3/8	Orange	2-45/64	29/32	B 22325	500 MCM	3/8	Brown	4-1/2	1-37/64	A 22338
3/0 GA	1/2	Orange	2-45/64	29/32	B 22326	-	-	-	-	-	-

LONG BARREL BUTT CONNECTORS

- HIGH CONDUCTIVITY, WROUGHT COPPER
- SEAMLESS CONSTRUCTION
- CHAMFERED ENDS PROVIDE EASY INSERTION OF CABLE
- COLOR CODE DESIGNATES CABLE SIZE AND TOOL SETTING DIE
- 600 VOLT APPLICATION



AWG	COLOR CODE	LENGTH	PART	AWG	COLOR CODE	LENGTH	PART
8	Red	2	I 22300	3/0	Orange	2-1/2	B 22307
6	Blue	2	E 22301	4/0	Purple	3	B 22308
4	Grey	2	E 22302	250 MCM	Yellow	3-5/8	B 22309
2	Brown	2	E 22303	300 MCM	White	3-11/16	B 22310
1	Green	2-1/4	B 22304	350 MCM	Red	3-15/16	B 22311
1/0	Pink	2-1/4	B 22305	400 MCM	Blue	3-15/16	A 22312
2/0	Black	2-3/8	B 22306	500 MCM	Brown	4-15/16	A 22313

COMPRESSION CONDUCTORS



- SINGLE HOLE SOLDERLESS LUGS CONSTRUCTED FROM HIGH STRENGTH ALUMINUM ALLOY
- ELECTRO-TIN PLATED TO PROVIDE LOW CONTACT RESISTANCE

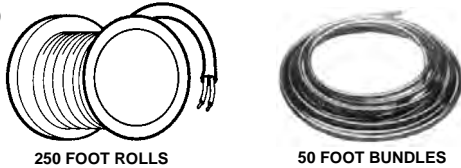
WIRE RANGE	BOLT SIZE	LENGTH	WIDTH	HEIGHT	PART
14-6 GA	1/4	1.06	.50	.494	I 22350
14-2 GA	1/4	1.16	.50	.550	I 22351
6GA - 250 MCM	5/16	2.00	1.00	1.125	B 22352
4GA - 500 MCM	3/8	2.81	1.50	1.562	A 22353
500 - 1000 MCM GA	5/8	3.38	1.75	1.937	A 22354

SUR-SAFE™ PORTABLE CORD AND PLUGS

SAFETY PORTABLE CORD

- PREMIUM GRADE, FLEXIBLE AND DURABLE PORTABLE CORD WITH SUPERIOR TEMPERATURE AND ABRASION RESISTANCE
- EXCELLENT FLEXIBILITY IN EXTREME TEMPERATURES
- OZONE, WEATHER AND WATER-RESISTANT
- WITHSTANDS HIGH HEAT AND FLAMES
- IMPERVIOUS TO OILS, ACIDS AND CHEMICALS
- EXCELLENT ABRASION AND CUT RESISTANCE
- UL AND CSA CERTIFIED FOR INDOOR AND OUTDOOR USE
- TEMPERATURE RANGE -50°C TO 105°C (-50°F to 221°F)
- SAFETY COLORED
- 3 CONDUCTORS – BLACK, WHITE AND GREEN

SJO CORD



APPLICATIONS:

- Machine Tools • Power Tools
- Dockside Power Applications
- Motor Leads
- Portable Machinery
- Cranes • Submersible Pumps

INDUSTRY APPROVALS:

- UL Flexible Cord – UL Subject 62
- CSA Flexible Cord – C22-2-49
- OSHA Acceptable
- MSHA Approved
- JC580

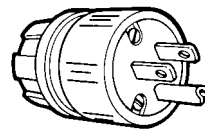
*SEOW CORD

- (TPE) THERMOPLASTIC ELASTOMER RUBBER JACKET
- OZONE, WEATHER AND WATER-RESISTANT
- WITHSTANDS HIGH HEAT
- OIL RESISTANT
- EXCELLENT ABRASION RESISTANCE
- UL AND CSA CERTIFIED FOR INDOOR AND OUTDOOR USE
- TEMPERATURE RANGE -50°C TO 105°C (-50°F to 221°F)
- 3 CONDUCTORS – BLACK, WHITE AND GREEN

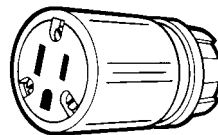
PLUGS AND CONNECTORS

- ACCEPTS AWG WIRE #18 THROUGH #12 WITHOUT CRUSHING; NO INSERTS NEEDED
- COLOR-CODED RUBBER CORD SEALER BUSHINGS HANDLE .330-.640 DIAMETER WIRE
- NON-SLIP FINGER GRIPS • NICKEL-PLATED BLADES
- DOUBLE-INSULATED FOR EXTRA SAFETY; WITHSTANDS HIGH IMPACT, CORROSION, OILS & GREASES, SOLVENTS AND OTHER CHEMICALS ACROSS -20°C/110°C RANGE
- TRANSPARENT BACK PLATE SPEEDS INSPECTION
- INDIVIDUAL WIRE POCKETS HELP PREVENT FLASH-OVER
- PATENTED DEAD-FRONT, BACK-WIRED DESIGN
- UL LISTED E17740 / CSA CERTIFIED LR 39143
- MEETS NATIONAL ELECTRICAL CODE REQUIREMENTS 400-10; 410-56(F) AND (H); 410-58(A), (B) AND (D)

SUR-SAFE PLUG



SUR-SAFE CONNECTOR



PLUGS



8165



28167



28169



28171



28173

CONNECTORS



8166



28168



28170



28172



28174

**Hospital Plugs and Connectors Meet UL 498 and 544 Standards*

DESCRIPTION	PLUG PART	CONNECTOR PART
15 Amp Straight	A 8165	A 8166
20 Amp Straight	A 28167	A 28168
15 Amp Locking	A 28169	A 28170
15 Amp Hospital Gray	A 28171*	A 28172*
15 Amp Hospital Clear	A 28173*	A 28174*

CORD CONNECT

- PROVIDES A WATER-TIGHT CONNECTION WHILE LOCKING CORDS TOGETHER
- PROTECTIVE "CLAMSHELL" HOUSING IS MADE OF DURABLE ALL-WEATHER PLASTIC
- TAPERED ENDS ENSURE THE CORD CONNECT PULLS SMOOTHLY WITHOUT GETTING CAUGHT
- ELIMINATES DISRUPTIVE DISCONNECTS WHILE WORKING WITH EXTENSION CORDS OR POWER TOOLS
- WATERTIGHT GASKET WITHSTANDS JET NOZZLE SPRAYS, DRIP BOX TESTS AND PREVENTS WATER FROM REACHING THE ELECTRICAL CONNECTION
- EASY TO HANDLE DESIGN ALLOWS WORKERS WEARING HEAVY GLOVES TO DISCONNECT AND TO CONNECT EASILY
- UV PROTECTED



1. Open half, place cord inside, clip closed
2. Slip water-tight gasket on the male plug and plug cords together
3. Screw both halves together until plugs are securely pushed together

DESCRIPTION	PART
Cord Connect – OSHA Orange	A 28162
Cord Connect - Landscape Green	A 28163

STRAIN RELIEFS

PIGTAIL STRAIN RELIEF

Liquid tight spiral strain relief offers additional safety against overstress and conductor breakage. Ideally suited for hand held equipment, moving machinery, robotics and instrumentation.

PROTECTION: UP TO 70 PSI
MATERIAL: POLYAMIDE – FLAME RETARDANT, SELF-EXTINGUISHING NYLON WITH NEOPRENE BUSHING
TEMPERATURE: -20°C to +80°C – SHORT TERM TO +100°C
SEAL: IP 68 (INTERNATIONAL PROTECTION – HIGHEST GRADE) COMPARABLE TO NEMA 6 CLASSIFICATION
RESISTANT TO: SALT WATER, WEAK ACIDS, WEAK ALKALIS, ALCOHOL ESTER, KETONES, ETHER, BENZENE, GAS, MINERAL OIL, ANIMAL AND VEGETABLE OILS, GASOLINE, OIL, GREASE AND COMMON SOLVENTS
APPLICATIONS: USED IN PANELS, SWITCHES, CONTROL BOXES, SUBMERSIBLE PUMPS, APPLIANCES AND MANY MACHINE TOOL APPLICATIONS
 PG THREAD SIZE LOCK NUTS ARE INCLUDED. NPT SIZE LOCK NUTS SOLD SEPARATELY



THREAD TYPE	DIAMETER RANGE	MOUNTING HOLE		PART		LOCK NUTS
PG-7	.118 - .255	.492	I	28180	N	28197
PG-9	.157 - .314	.599	I	28181	N	28198
PG-11	.197 - .394	.733	E	28182	N	28199
PG-13.5	.236 - .472	.804	E	28183	L	28200
PG-16	.394 - .551	.886	E	28184	L	28201
1/2 NPT	.236 - .472	.825	E	28185	E	28204
3/4 NPT	.545 - .709	1.050	B	28186	B	28205

STRAIN RELIEF CORD CONNECTORS

Liquid tight, unique, easy to assemble strain relief cable connector is universally suited for all types of machinery and equipment, including automation, motion control and robotics.

PROTECTION: UP TO 70 PSI
MATERIAL: POLYAMIDE – FLAME RETARDANT, SELF-EXTINGUISHING NYLON WITH NEOPRENE BUSHING
TEMPERATURE: -20°C to +80°C – SHORT TERM TO +100°C
SEAL: IP 68 (INTERNATIONAL PROTECTION – HIGHEST GRADE) COMPARABLE TO NEMA 6 CLASSIFICATION
RESISTANT TO: SALT WATER, WEAK ACIDS, WEAK ALKALIS, ALCOHOL ESTER, KETONES, ETHER, BENZENE, GAS, MINERAL OIL, ANIMAL AND VEGETABLE OILS, GASOLINE, OIL, GREASE AND COMMON SOLVENTS
APPLICATIONS: USED IN PANELS, SWITCHES, CONTROL BOXES, SUBMERSIBLE PUMPS, APPLIANCES AND MANY MACHINE TOOL APPLICATIONS
 PG THREAD SIZE LOCK NUTS ARE INCLUDED. NPT SIZE LOCK NUTS SOLD SEPARATELY



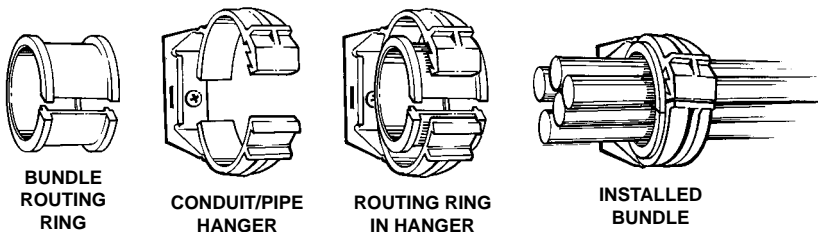
THREAD TYPE	DIAMETER RANGE	MOUNTING HOLE		PART		LOCKNUTS
PG-7	.118 - .255	.492	I	28190	N	28197
PG-9	.157 - .314	.599	I	28191	N	28198
PG-11	.197 - .394	.733	E	28192	N	28199
PG-13.5	.236 - .472	.804	E	28193	L	28200
PG-16	.394 - .551	.886	E	28194	L	28201
PG-21	.545 - .709	1.115	E	28195	I	28202
PG-29	.708 - .984	1.457	B	28196	E	28203
1/2 NPT	.236 - .472	.825	E	28187	E	28204
3/4 NPT	.545 - .709	1.050	B	28188	B	28205
1 NPT	.708 - .984	1.303	B	28189	B	28206

CONDUIT/PIPE HANGERS

CONDUIT/PIPE HANGERS AND BUNDLE ROUTING RINGS

Fast, easy, convenient way to support, hang or route wire bundles, wire harnesses, tubing and cables.

- HIGHLY VERSATILE – WORKS WITH ALL TYPES OF CABLE AND CONDUIT
- EASY TO USE, REQUIRING ONLY ONE INSTALLER
- ECONOMICAL – INSTALLATION TIME IS ROUTINELY REDUCED BY UP TO 35%
- HIGHLY ADAPTABLE – CAN BE ATTACHED TO CABLE TRAY, CONCRETE, BRICK, CINDER BLOCK, SHEET METAL, FIBERGLASS, STRUT – VIRTUALLY ANY SURFACE OR STRUCTURAL MEMBER. CAN ALSO BE USED AS THREADED ROD HANGER ON STRUT.
- CORROSION-RESISTANT – MADE OF DURABLE NYLON 12 GRILAMID®
- TEMPERATURE RANGE -40°F TO +180°F CONTINUOUSLY, AND TO +225°F INTERMITTENTLY, WITH INSTALLATION TO -5°F
- REUSABLE – DESIGN CHANGES CAN BE EASILY ACCOMMODATED
- INVENTORY REDUCING – ELIMINATES STOCKING THE SAME SUPPORT IN SEVERAL MATERIALS
- FREE OF GALVANIC ACTION, NON-MAGNETIC, DIELECTRIC EXCELLENCE
- ALLOWS PREFABRICATION OF TRAPEZE HANGERS
- ALLOWS EXPANSION AND CONTRACTION OF CONDUIT SYSTEMS



INSTRUCTIONS FOR CONDUIT/PIPE HANGERS:

1. INSERT CABLE/CONDUIT INTO PIPE HANGERS
2. APPLY SLIGHT PRESSURE TO THE TUBULAR MEMBER – JAWS CLOSE AND LOCK
3. A SHARP "CLICK" TELLS YOU THE CABLE OR CONDUIT IS SECURELY FASTENED

INSTRUCTIONS FOR BUNDLE ROUTING RINGS:

1. SIMPLY INSERT CABLE OR CONDUIT INTO THE WHITE POLYPROPYLENE SPLIT ROUTING RING
2. RING IS THEN SNAPPED INTO THE PRE-INSTALLED CONDUIT/PIPE HANGER SUPPORT
3. BUNDLING ROUTING RINGS ARE REUSABLE

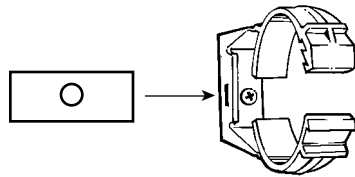
CONDUIT/PIPE HANGER	SIZE	PART	CONDUIT/PIPE HANGER	SIZE	PART
.295 - .374	#8	N 22970	1.094 - 1.228	#28	I 22978
.374 - .465	#10	N 22971	1.228 - 1.398	#32	I 22979
.465 - .563	#12	L 22972	1.398 - 1.555	#36	E 22980
.563 - .661	#15	L 22973	1.555 - 1.713	#40	E 22981
.661 - .768	#17	L 22974	1.831 - 1.988	#47	E 22982
.768 - .866	#20	L 22975	1.988 - 2.185	#51	E 22983
.866 - .898	#22	I 22976	2.303 - 2.520	#59	B 22984
.696 - 1.094	#25	I 22977	–	–	–
BUNDLE ROUTING RING	USE WITH HANGER SIZE	PART	BUNDLE ROUTING RING	USE WITH HANGER SIZE	PART
3/4"	#25	T 22985	1-1/2"	#47	R 22988
1"	#32	T 22986	2"	#59	L 22989
1-1/4"	#40	T 22987	–	–	–

TRADE SIZE I.D.	EMT Galvanized Steel	IMC Galvanized Steel and Aluminum	RIGID Galvanized Steel and Aluminum	PVC Schedules 40 and 80	RIGID 40 MIL PVC COATED Galvanized Steel and Aluminum	IMC 40 MIL PVC COATED Galvanized Steel and Aluminum	EMT 24 MIL PVC COATED Galvanized Steel	FIBERGLASS Standard and Heavy Wall Pipe Dimensions	OTHER SPECIALTY as S/S, Everdur Same O.D. as IMC & RIGID
1/2	L 22974 0.706"	L 22975 0.815"	L 22975 0.840"	L 22975 0.840"	I 22976 0.920"	I 22976 0.895"	L 22974 0.756"	–	L 22975 0.840"
3/4	I 22976 0.922"	I 22977 1.029"	I 22977 1.050"	I 22977 1.050"	I 22978 1.130"	I 22978 1.109"	I 22977 0.972"	I 22977 1.029"	I 22977 1.050"
1	I 22978 1.163"	I 22979 1.290"	I 22979 1.315"	I 22979 1.315"	E 22980 1.395"	I 22979 1.370"	I 22979 1.213"	I 22979 1.315"	I 22979 1.315"
1-1/4	E 22980 1.510"	E 22981 1.638"	E 22981 1.660"	E 22981 1.660"	E 22982 1.740"	E 22981 1.718"	E 22981 1.560"	E 22981 1.660"	E 22981 1.660"
1-1/2	E 22981 1.740"	E 22982 1.883"	E 22982 1.900"	E 22982 1.900"	E 22982 1.980"	E 22982 1.963"	E 22982 1.790"	E 22982 1.980"	E 22982 1.900"
2	E 22983 2.197"	B 22984 2.360"	B 22984 2.375"	B 22984 2.375"	B 22984 2.455"	B 22984 2.244"	B 22984 2.247"	B 22984 2.375"	B 22984 2.375"

CONDUIT/PIPE HANGERS (Cont'd.)

TRADE SIZE I.D.	FLEXIBLE METAL CONDUIT Galvanized Steel and Aluminum	LIQUIDTIGHT FLEXIBLE Metallic and Non-Metallic Conduit	CORRUGATED FLEXIBLE Non-Metallic Liquidtight Conduit	ENMT Electric Non-Metallic Conduit	CORRLOK® FLEXIBLE Nylon Conduit	LIQUATITE® Non-Metallic Flexible Conduit Types LNM and LNMP	OTHER SPECIALTY as Corrugated Ducts for Fiber Optics Same O.D. as Rigid	COPPER TUBE O.D.
-	-	-	-	-	-	-	-	N 22970 5/16"
1/4	-	N 22971 0.450"	-	-	-	-	-	N 22971 3/8"
5/16	L 22972 0.470"	L 22973 0.570"	-	-	-	-	-	-
3/8	L 22973 0.560"	L 22974 0.690"	L 22973 0.690"	-	L 22973 0.625"	L 22974 0.755"	-	L 22972 1/2"
1/2	L 22975 0.860"	L 22975 0.860"	L 22975 0.860"	L 22975 0.860"	L 22975 0.844"	I 22976 0.910"	-	L 22973 5/8"
5/8	-	-	-	-	-	-	-	L 22974 3/4"
3/4	I 22977 1.045"	I 22977 1.045"	I 22977 1.045"	I 22977 1.045"	I 22978 1.125"	I 22978 1.150"	-	L 22975 7/8"
1	I 22979 1.300"	I 22979 1.300"	I 22979 1.300"	I 22979 1.300"	I 22979 1.375"	E 22980 1.415"	I 22979 1.315"	I 22978 1-1/8"
1-1/4	E 22981 1.550"	E 22981 1.550"	E 22981 1.550"	-	E 22981 1.688"	E 22982 1.800"	E 22981 1.660"	I 22979 1-3/8"
1-1/2	E 22982 1.850"	E 22982 1.850"	E 22982 1.850"	-	E 22983 2.156"	E 22983 2.045"	E 22982 1.900"	E 22981 1-5/8"
2	B 22984 2.350"	B 22984 2.350"	B 22984 2.350"	-	-	B 22984 2.555"	B 22984 2.375"	E 22983 2-1/8"

CONDUIT/PIPE HANGER FLANGE



- STAINLESS STEEL FLANGE FITS INTO BASE OF CONDUIT/PIPE HANGER
- 1/4-20 THREADED HOLE

DESCRIPTION	PART
CONDUIT/PIPE HANGER FLANGE 316 STAINLESS STEEL	N 22990

DROP LIGHTS

ROUGH DUTY FLUORESCENT WORK LIGHT



- THE INDUSTRY STANDARD – THE PRO MECHANICS CHOICE
- COOL RUNNING 13W 10,000 HOUR RATED BULB (INCLUDED)
- EQUIVALENT TO 75W INCANDESCENT BULB WITH NATURAL DAYLIGHT ILLUMINATION-6500 KELVIN
- POLARIZED PLUG WITH 12AMP GROUND RECEPTACLE AND ROCKER ON/OFF SWITCH
- CLEAR POLYCARBONATE TOP FOR SPOT-LIGHTING
- FLAME-RETARDANT YELLOW POLYPROPYLENE HANDLE
- HIGH-IMPACT LAMP PROTECTOR WITH HIGH-GLOSS REFLECTOR
- CLEAR CHEMICAL AND UV RESISTANT LAMP PROTECTOR
- CONVENIENT AND VERSATILE NYLON-TIPPED DOUBLE HANG HOOK

DESCRIPTION	PART
Rough Duty Fluorescent Work Light 25'	A 28160
120 Volt 13W 10,000 Hour Rated Replacement Bulb	A 28160BULB

30' 14/3 TRIPLE TAP CORD REEL



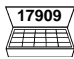

- HEAVY-DUTY METAL RETRACTABLE REEL
- POLARIZED PLUG WITH THREE 10AMP GROUNDED RECEPTACLE
- BRACKETS FOR WALL OR CEILING MOUNTING INCLUDED
- LED POWER STATUS LIGHT

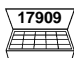

DESCRIPTION	PART
30' 14/3 Triple Tap Cord Reel	A 28161

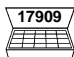
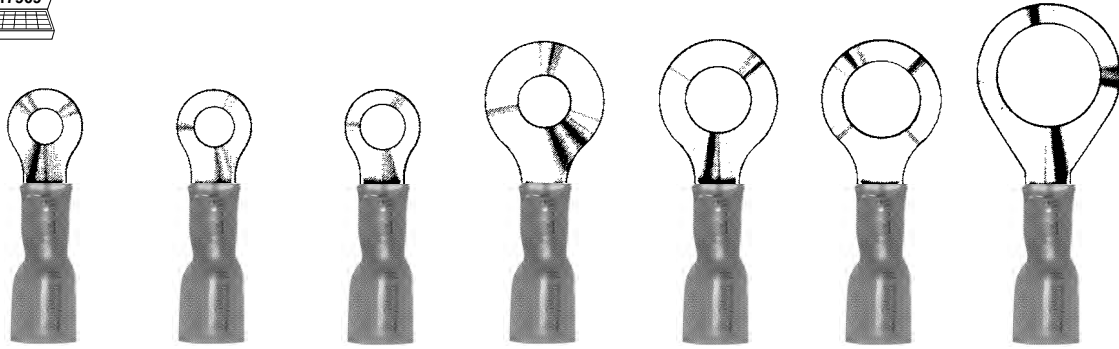
CSS (CRIMP - SOLDER - SEAL) TERMINALS

CSS RINGS

Crimp – Solder – Seal . . . the ultimate electrical connection! Crimped for maximum reliability and easy installation. Soldered for additional strength and better conductivity. Sealed for durable insulation and watertight connection.

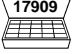



RED 18-20 WIRE SIZE	 						
	STUD SIZE	6	8	10	1/4	5/16	3/8
	PART	L 21700	L 21701	L 21702	L 21703	L 21704	L 21705

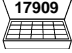



BLUE 14-16 WIRE SIZE	 						
	STUD SIZE	6	8	10	1/4	5/16	3/8
	PART	L 21706	L 21707	L 21708	L 21709	L 21710	L 21711

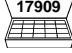



YELLOW 10-12 WIRE SIZE	 							
	STUD SIZE	6	8	10	1/4	5/16	3/8	1/2
	PART	I 21712	I 21713	I 21714	I 21715	I 21716	I 21717	I 21718

CSS (CRIMP-SOLDER-SEAL) TERMINALS (Cont'd.)





CSS SPADES

RED 18-20 WIRE SIZE	   			
	STUD SIZE	6	8	10
	PART	L 21719	L 21720	L 21721

BLUE 14-16 WIRE SIZE	   			
	STUD SIZE	6	8	10
	PART	L 21722	L 21723	L 21724




YELLOW 10-12 WIRE SIZE	   			
	STUD SIZE	6	8	10
	PART	I 21725	I 21726	I 21727




CSS BUTT CONNECTORS




CLEAR 22-24	RED 18-20	BLUE 14-16	YELLOW 10-12
			
PART	PART	PART	PART
I 21737	I 21738	I 21739	I 21740

CSS (CRIMP-SOLDER-SEAL) TERMINALS (Cont'd.)

CSS QUICK SLIDES

RED 18-20 WIRE SIZE	FEMALE		MALE
			
BLADE SIZE	1/4	1/4 FULLY INSULATED	1/4
PART	L 21741	I 21742	L 21743

BLUE 14-16 WIRE SIZE	FEMALE		MALE
			
BLADE SIZE	1/4	1/4 FULLY INSULATED	1/4
PART	L 21744	I 21745	L 21746

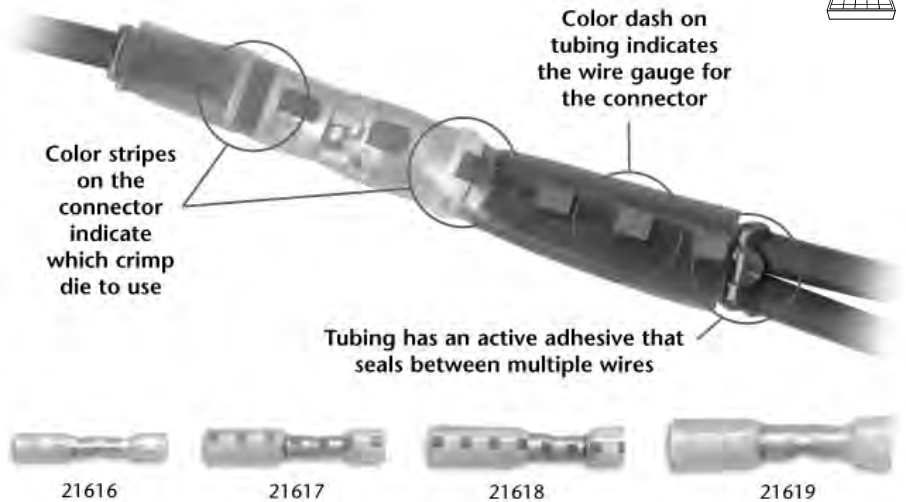
YELLOW 10-12 WIRE SIZE	FEMALE		MALE
			
BLADE SIZE	1/4	1/4 FULLY INSULATED	1/4
PART	I 21747	I 21748	I 21749

HEAT SHRINK CONNECTORS AND TUBING

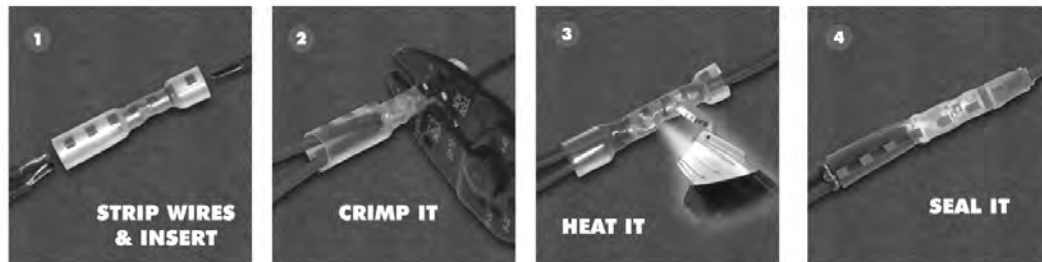
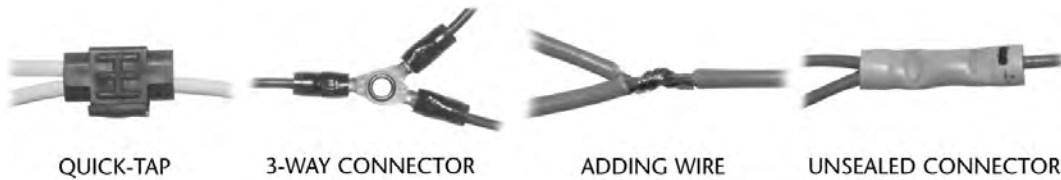
HEAT SHRINK MULTI WIRE IN-LINE CONNECTORS

JOIN TWO WIRES TO ONE WIRE...

- Seamless butt connectors provide superior crimp performance
- Window in butt connectors allows for visual inspection to ensure all wires are fully inserted
- Butt connectors have indicators where the installation tool should be positioned to crimp connector
- Wire-stop in butt connector prevents over-insertion of the wires
- High adhesive-flow polyolefin to seal multiple wires
- Color-coded dash on tubing to indicate the wire gauge for the connector
- Clear tubing to allow for visual inspection



THE IN-LINE CONNECTOR IS THE SOLUTION FOR THESE EXISTING PROBLEMS:



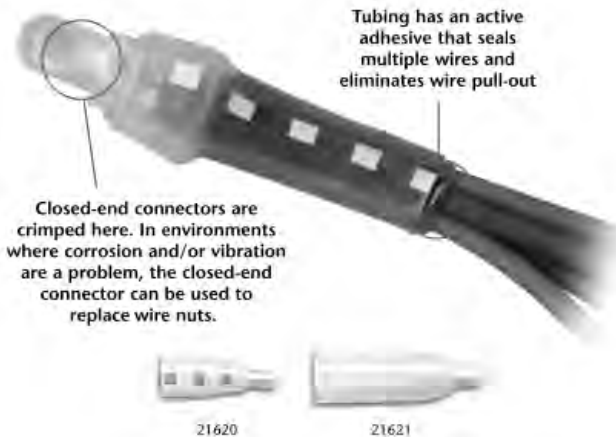
WIRE GAUGE	TUBING COLOR	COLOR STRIPE ON CONNECTOR	WIRE	CRIMP DIE	PART
22-24 AWG	Clear / White Dashes	Side 1: White Side 2: Red	One 24-22 AWG Two 24-22 AWG	White (24-22 AWG) Red (20-18 AWG)	N 21616
20-18 AWG	Clear / Red Dashes	Side 1: Red Side 2: Blue	One 20-18 AWG Two 20-18 AWG	Red (20-18 AWG) Blue (16-14 AWG)	N 21617
16-14 AWG	Clear / Blue Dashes	Side 1: Blue Side 2: Yellow	One 16-14 AWG Two 16-14 AWG	Blue (16-14 AWG) Yellow (12-10 AWG)	N 21618
12-10 AWG	Clear / Yellow Dashes	Side 1: Yellow Side 2: Red	One 12-10 AWG Two 12-10 AWG	Yellow (12-10 AWG) Red (8 AWG)	N 21619

HEAT SHRINK CONNECTORS AND TUBING

HEAT SHRINK MULTI WIRE CLOSED-END CONNECTORS

JOIN TWO WIRES TO FOUR WIRES...

- Crimp termination provides superior mechanical performance
- High adhesive-flow polyolefin tubing to seal multiple wires
- Color-coded dash on tubing to indicate the size of the connector
- Clear tubing to allow for visual inspection



Tubing has an active adhesive that seals multiple wires and eliminates wire pull-out

THE CLOSED-END CONNECTOR IS THE SOLUTION FOR THESE EXISTING PROBLEMS:



WIRE NUT

END-CAP



STRIP WIRES & INSERT



CRIMP IT



HEAT IT



SEAL IT



WIRE RANGE

TUBING COLOR

PART

22-14 AWG

Clear / Blue Dashes

N 21620

18-10 AWG

Clear / Yellow Dashes

N 21621

HI-FLOW ADHESIVE HEAT SHRINK TUBING

Adhesive-lined heat shrink tubing provides the best protection for electrical terminations for primary wire and battery cables that are subjected to extreme conditions. Chromate's heat shrink tubing provides an adhesive barrier which protects electrical components from calcium chlorides, sodium chlorides, magnesium chlorides, abrasion, vibration, and other environmental contaminants.



- Most adhesive-lined heat shrink tubing has a 3 to 1 shrink ratio. The High Adhesive Flow Tubing will shrink 28% more than standard adhesive-lined tubing.
- Standard adhesive-lined heat shrink tubing is designed to seal a single wire. It doesn't provide enough adhesive to seal two or more wires which is typical with trailer wiring and wire harness applications.
- Tubing will remain flexible after it has been installed, which is ideal for wire harness applications.
- Visual inspection is easy, clear heat shrink tubing allows the technicians to see that corrosion has not developed on the wire and cable. This can help prevent technicians from misusing test probes – piercing through the wire insulation. Most heat shrink tubing is black which prevents visual inspection.



Specs Chrysler MS-DB56 CAN, Ford ESB-M97D56A1	Material Polyolefin	Recover Temp. 250°F / 121°C	Dielectric Strength 500 Volts/Mil	Continuous Oper.Temp. -67°F to 230°F / -55°C to 110°C	Flammability Non-Flame Retardant
--	------------------------	--------------------------------	--------------------------------------	--	-------------------------------------

PRE-SHRINK ID	REC ID	WIRE RANGE	TUBE COLOR / DASH COLOR	PART
0.220"	0.045"	24-12 AWG	Clear / White	D 32181
0.300"	0.060"	22-10 AWG	Clear / Red	D 32182
0.350"	0.080"	16-8 AWG	Clear / Blue	D 32183
0.450"	0.105"	14-4 AWG	Clear / Yellow	D 32184

COOL SEAL BUTT CONNECTORS

A HEATLESS, SOLDERLESS TERMINAL USING ANEROBIC SEALANT TECHNOLOGY

The most innovative and cost effective sealed electrical connector to hit the market in 25 years. A heatless, solderless terminal, it utilizes revolutionary anaerobic sealant technology that installs in a fraction of the time of comparable heat seal connectors. Reduces overall costs by eliminating the need for torches or heat guns, reducing the installation time, and improving productivity.



Features and Benefits

- Seals Out Moisture Causing Corrosion
- Patented Anaerobic Technology
- Simply Strip and Crimp
- Installs in a Fraction of the Time of Comparable Heat Shrink Terminals
- Improved Productivity
- No Heat Tools Required
- Nylon Insulation
- 99.9% ETP Copper Terminal



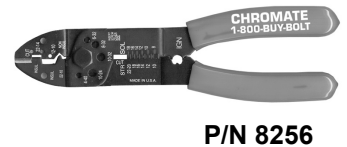
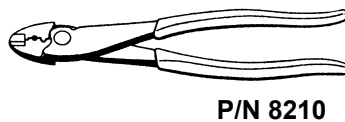
20

Installation Guidelines For Cool Seal Connectors

1. Strip wire 1/4".
2. Insert wire into the insulation and immerse bare copper end into the sealing gel.
3. Rotate the wire sufficiently inside the insulation to insure the copper end of the wire is completely covered with the sealing gel.
4. Insert wire into the connector until wire insulation contacts splice/connector.
5. Crimp with correct nest on Crimp Tool.
6. Sealant initially begins to cure within 15 minutes; 80% cured within 24 hours, and 100% cured within 48 hours.

WIRE RANGE	TUBING COLOR	PART
22-18 GA	Red	N 2652
16-14 GA	Blue	N 2653
12-10 GA	Yellow	N 2654

Installs With Any of These Crimpers:



WINDOW-VIEW BUTT CONNECTORS

PROVIDES OPTIMAL VISUAL ASSURANCE OF A SEALED CRIMP TERMINATION



Window-View Butt Connectors offer the following visual assurances:

- Ensures the wire is crimped to connector
- Ensures the center of crimp barrel is properly crimped
- Super-Clear waterproof insulation
- Allows for indisputable inspection of the wire's condition

Standard connectors don't allow the installer to see the wire which can result in the following problems:

- Wire stripped too short, which can result in crimping the end of the wire, causing poor termination.
- Wire is not fully seated to connector, which can result in poor termination.

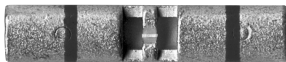


20

THE COMPONENTS

Window-View Butt Connectors

- Window in center of connector assures that wire is seated properly and that the wire is being crimped to the connector.
- Color-coded stripes identify wire gauge size to be used.
- Color-coded stripes also indicate/guide the installer to the proper crimp position on the center of the barrel.
- Seamless barrel butt connectors ensure superior crimp.
- Wire-stop in butt connectors prevents over insertion of wire.

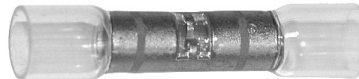


Super-Clear Adhesive-lined Heat Shrink Tubing

- Super-Clear tubing provides optimal clarity for visual inspection.
- Adhesive-Lined tubing ensures a waterproof seal.
- Wire gauge imprint simplifies wire size identification.



P/N 2924



P/N 2926



P/N 2925



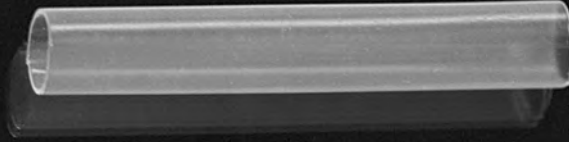
WIRE GAUGE	STRIPE COLOR	LENGTH	TYPE	TUBING COLOR	SEAM	PART
22-18	Red Stripes	1.5"	Window	Clear	Seamless	A 2924
16-14	Blue Stripes	1.5"	Window	Clear	Seamless	A 2925
12-10	Yellow Stripes	1.625"	Window	Clear	Seamless	A 2926

SUPER-CLEAR HEAT SHRINK TUBING

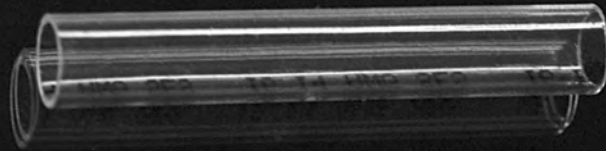
OPTIMAL CLARITY FOR VISUAL INSPECTION

IS YOUR HEAT SHRINK TUBING MILKY CLEAR OR SUPER-CLEAR?

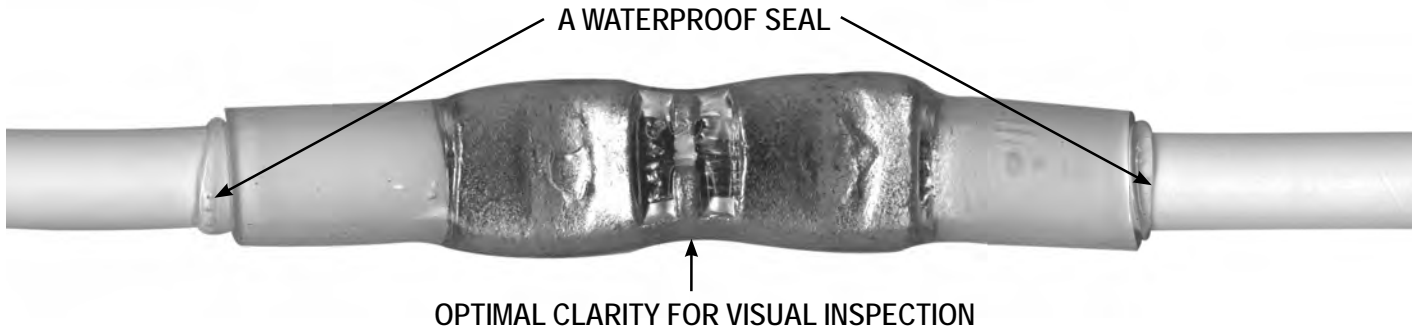
CLEAR
HEAT SHRINK TUBING



SUPER-CLEAR
HEAT SHRINK TUBING



SUPER-CLEAR ADHESIVE-LINED HEAT SHRINK TUBING PROVIDES:



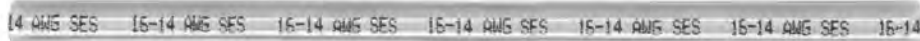
Features and Benefits

- Material: Cross-linked ionic polymer
- Shrink Ratio: Exceeds 2.5 to 1
- Shrink/Recovery Temperature: 194°F (90°C)
- Continuous Operating Temp: -67°F to 257°F (-55°C to 125°C)
- Flammability: Passed (FMVSS 302 test)
- Tensile Strength: 4,000 psi
- Longitudinal Change: +1/-10% Max
- Dielectric Strength: 750 V/Mil (30KV/MM)

P/N 26097



P/N 26098



P/N 26099



WIRE GAUGE	TUBING COLOR	LENGTH	MINIMUM EXPANDED ID	MAXIMUM RECOVERED ID	PART
22-18	Super-Clear	6"	0.176"	0.045"	A 26097
16-14	Super-Clear	6"	0.250"	0.080"	A 26098
12-10	Super-Clear	6"	0.365"	0.100"	A 26099

CORD MANAGEMENT

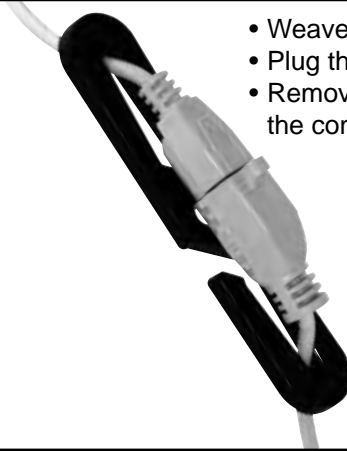
CORD "S" LOCK

Keeps Plug Connection In Place...

- Safely
- Easily



P/N 28164

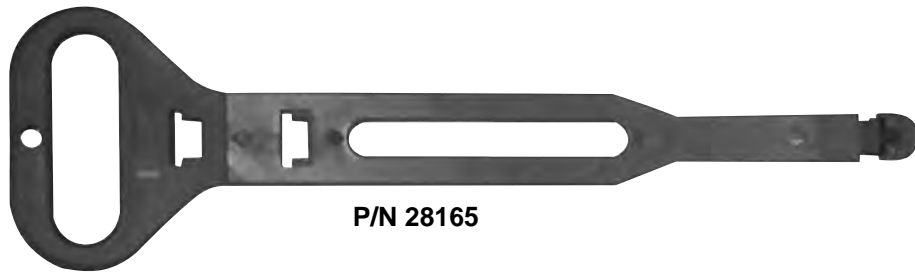


- Weave each cord end into the "S"
- Plug the ends together
- Remove cord slack to draw the connection tightly together

CORD CARRYING STRAP

Holds Up To 150 ft. 14/3 Cord

- Easy To Store
- Easy Grip
- Adjustable
- Flexible

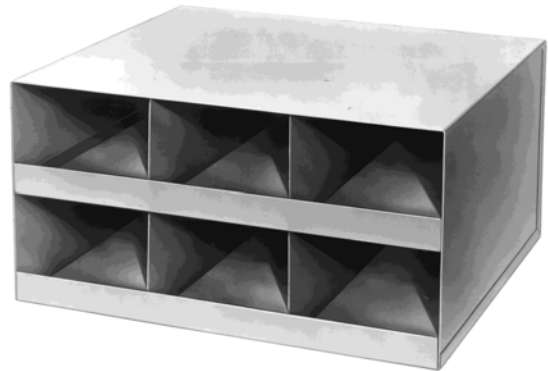


P/N 28165



SIX-2-ONE™ SHRINK TUBING ASSORTMENT

The Four Most Popular Shrink Tubing Sizes



- A TOTAL OF 13 PIECES/
13 FEET OF TUBING
- LABELED CABINET
- EASY IDENTIFICATION

P/N 17883

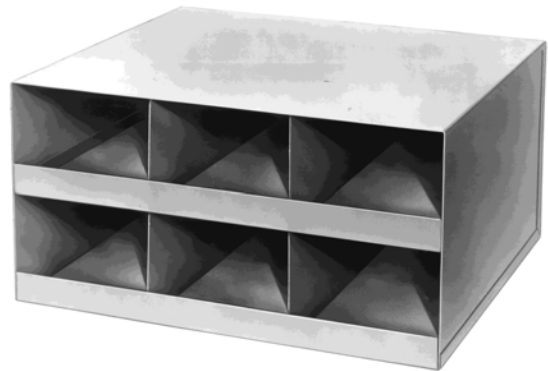


FEATURES:

- BLACK, NON-ADHESIVE LINING PROVIDES A TIGHT GAS, WATER AND ENVIRONMENTAL SEAL
- DIELECTRIC STRENGTH OF 500 VOLTS / MIL
- COVERS WIRE FROM #14 AWG THROUGH 1000 MCM CABLE
- DURABLE SEMI-RIGID BLACK MATERIAL EASILY CONFORMS TO IRREGULAR SURFACE CONFIGURATIONS WHEN SHRUNK
- IDEAL FOR REPLACING TORN CABLE JACKETS AND INSULATING CONNECTORS
- FITS EASILY OVER AND SEALS LARGE CONNECTIONS ALREADY MADE WITHOUT COMPLETE DISASSEMBLY
- FLAME RETARDANT MATERIAL MEETS MIL-I-23053 / 15A SPECS

SIX-2-ONE™ SHRINK TUBING ASSORTMENT

The Four Most Popular Shrink Tubing Sizes



- A TOTAL OF 13 PIECES/
13 FEET OF TUBING
- LABELED CABINET
- EASY IDENTIFICATION

P/N 17842



FEATURES:

- BLACK WITH A THERMOPLASTIC ADHESIVE LINING PROVIDING A TIGHT GAS, WATER AND ENVIRONMENTAL SEAL
- DIELECTRIC STRENGTH OF 500 VOLTS / MIL
- COVERS WIRE FROM #14 AWG THROUGH 1000 MCM CABLE
- DURABLE SEMI-RIGID BLACK MATERIAL EASILY CONFORMS TO IRREGULAR SURFACE CONFIGURATIONS WHEN SHRUNK
- IDEAL FOR REPLACING TORN CABLE JACKETS AND INSULATING CONNECTORS
- FITS EASILY OVER AND SEALS LARGE CONNECTIONS ALREADY MADE WITHOUT COMPLETE DISASSEMBLY
- FLAME RETARDANT MATERIAL MEETS MIL-I-23053 / 15A SPECS